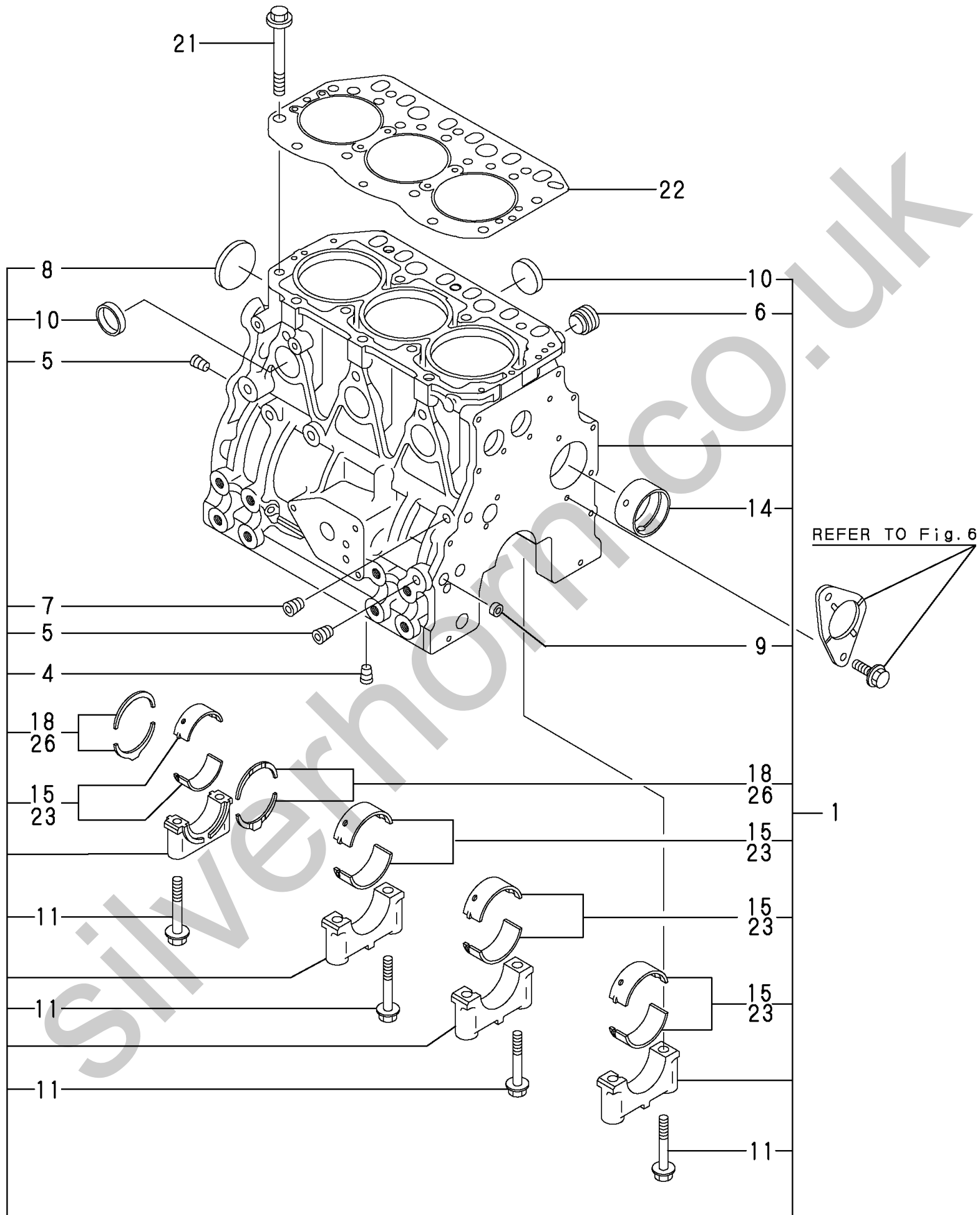


[Info]
PcNo=Y00B6413
PcName=3TNE82A-EBVB,C
JpnUse=1
JpnSec1=fGf`fWf`
JpnSec2=-§ -
JpnSec3=TNE
JpnPreface=0
EngUse=1
EngSec1=ENGINE
EngSec2=SMALL VERTICAL (ViO)
EngSec3=TNE
EngPreface=0

Silverhorn.CO.UK

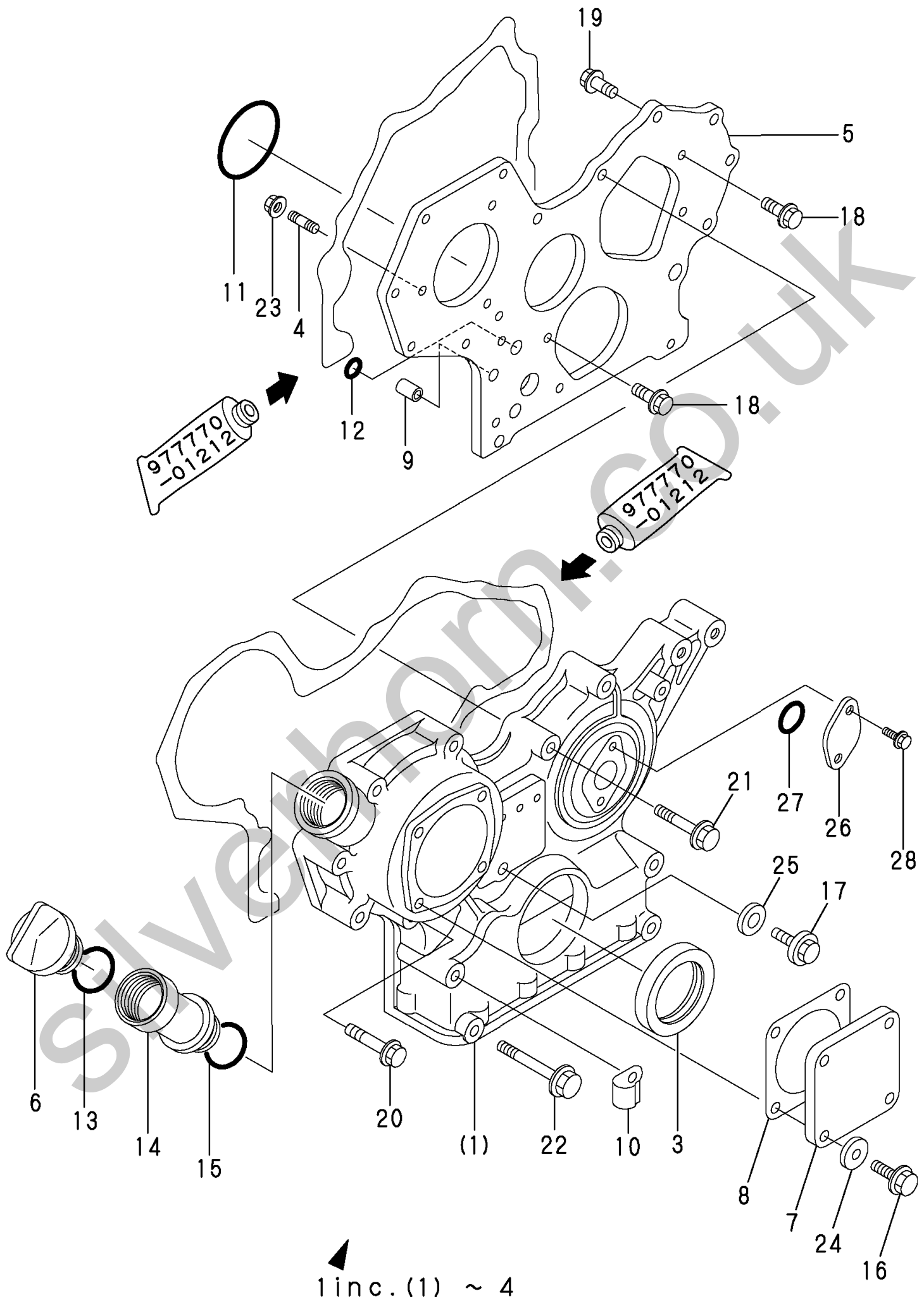
1,1,,719813-01560,, "BLOCK ASSY, CYLINDER",1,1,,,,,,,,,,,,,,,,,
4,3,,124160-01910,, "PLUG PT1/4",1,1,,,,,,,,,,,,,,,,,
5,3,,124160-01910,, "PLUG PT1/4",2,2,,,,,,,,,,,,,,,,,
6,3,,171051-01921,, PLUG,1,1,,,,,,,,,,,,,,,,,
7,3,,23876-010000,, "PLUG PT1/8, SCREW",1,1,,,,,,,,,,,,,,,,,
8,3,,129001-01250,, "PLUG 50",1,1,,,,,,,,,,,,,,,,,
9,3,,27241-120000,, "PLUG 12",2,2,,,,,,,,,,,,,,,,,
10,3,,27241-300000,, "PLUG 30",6,6,,,,,,,,,,,,,,,,,
11,3,,119620-02020,, BOLT,8,8,,,,,,,,,,,,,,,,,
14,3,,129795-02411,, "BUSH, CAMSHAFT",1,1,,,,,,,,,,,,,,,,,
15,2,,119810-02800,, "MAIN BEARING",4,4,,,,,,,,,,,,,,,,,
18,2,,119810-02930,, "BEARING, THRUST",1,1,,,,,,,,,,,,,,,,,I
21,1,,119810-01200,, "BOLT, CYL. HEAD",14,14,,,,,,,,,,,,,,,,,
22,1,,119812-01330,, "GASKET, HEAD",1,1,,,,,,,,,,,,,,,,,
23,1,,119810-02870,, "MAIN BEARING US=0.25",4,4,,,,,1,,,,,
26,1,,119810-02940,, "BEARING, THRUST .250S",4,4,,,,,2,,,,,

Silverhorn.CO.UK



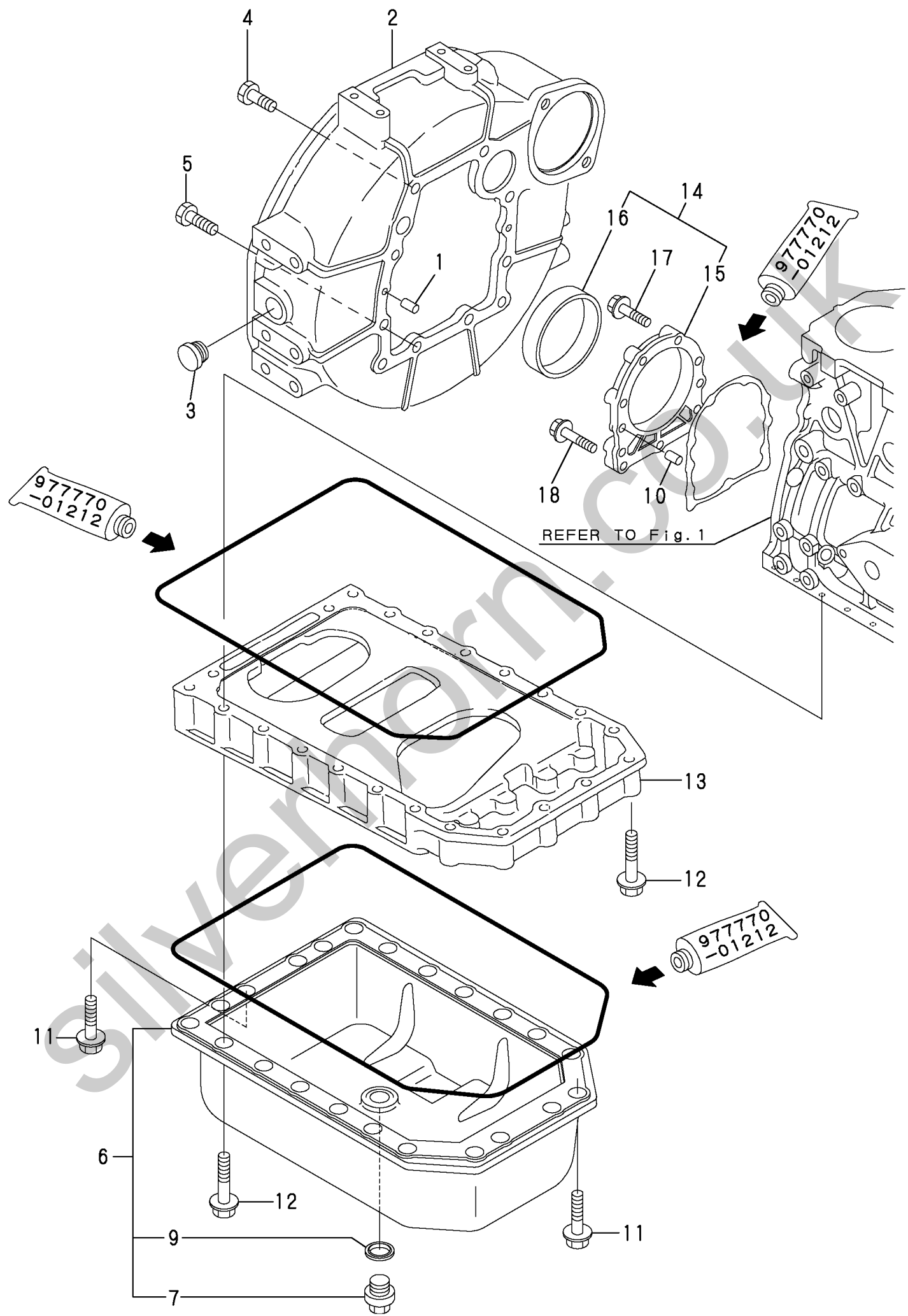
1,1,,719810-01500,, "HOUSING ASSY, GEAR",1,1,,,,,,,,,,,,,
 3,2,,129795-01800,, "SEAL, OIL",1,1,,,,,,,,,,,,,
 4,2,,121450-01560,, "STUD M 8X 22",3,3,,,,,,,,,,,,,
 5,1,,129400-01520,, "FLANGE,GEARS HOUSING",1,1,,,,,,,,,,,,,
 6,1,,124160-01751,, "COVER,FILLER",1,1,,,,,,,,,,,,,
 7,1,,124240-01871,, "COVER, HO-P",1,1,,,,,,,,,,,,,
 8,1,,124240-01883,, "GASKET, (NON-ASB.)",1,1,,,,,,,,,,,,,
 9,1,,129795-01950,, "PIPE, KNOCK L=18",2,2,,,,,,,,,,,,,
 10,1,,129150-03100,, "RETAINER,1,1,,,,,,,,,,,,,
 11,1,,121850-51960,, "O-RING, F.I.PUMP",1,1,,,,,,,,,,,,,
 12,1,,24311-000160,, "O-RING 1A P-16.0",2,2,,,,,,,,,,,,,
 12-1,1,,119609-32040,, "O-RING P16",2,2,,,,,R,,TE-01299,E/#67520,TE-
 01299,E/#71137,,,,,,
 13,1,,24311-000320,, "O-RING 1A P-32.0",1,1,,,,,,,,,,,,,
 14,1,,171031-11741,, "PIPE,1,1,,,,,,,,,,,,,
 15,1,,24311-000320,, "O-RING 1A P-32.0",1,1,,,,,,,,,,,,,
 16,1,,26106-080122,, "BOLT M 8X 12 PLATED",4,4,,,,,,,,,,,,,
 17,1,,26106-080162,, "BOLT M 8X 16 PLATED",1,1,,,,,,,,,,,,,
 18,1,,26106-080162,, "BOLT M 8X 16 PLATED",3,3,,,,,,,,,,,,,
 19,1,,26106-080202,, "BOLT M 8X 20 PLATED",2,2,,,,,,,,,,,,,
 20,1,,26106-080452,, "BOLT M 8X 45 PLATED",6,6,,,,,,,,,,,,,
 21,1,,26106-080552,, "BOLT M 8X 55 PLATED",3,3,,,,,,,,,,,,,
 22,1,,129001-91841,, "BOLT M 8X 85 PLATED",4,4,,,,,,,,,,,,,
 23,1,,26366-080002,, "NUT M 8",3,3,,,,,,,,,,,,,
 23-1,1,,26306-080002,, "NUT,3,3,,,,,N,,JH-01017,E/#65975,JH-01017,E/#67837,,,,,,
 24,1,,22190-080002,, "SEAL WASHER 8S",4,4,,,,,,,,,,,,,
 25,1,,22190-080002,, "SEAL WASHER 8S",1,1,,,,,,,,,,,,,
 26,1,,121023-01550,, "COVER, BLIND",1,1,,,,,,,,,,,,,
 27,1,,24341-000240,, "O-RING 1A S-24.0",1,1,,,,,,,,,,,,,
 28,1,,26106-060162,, "BOLT M 6X 16 PLATED",2,2,,,,,,,,,,,,,



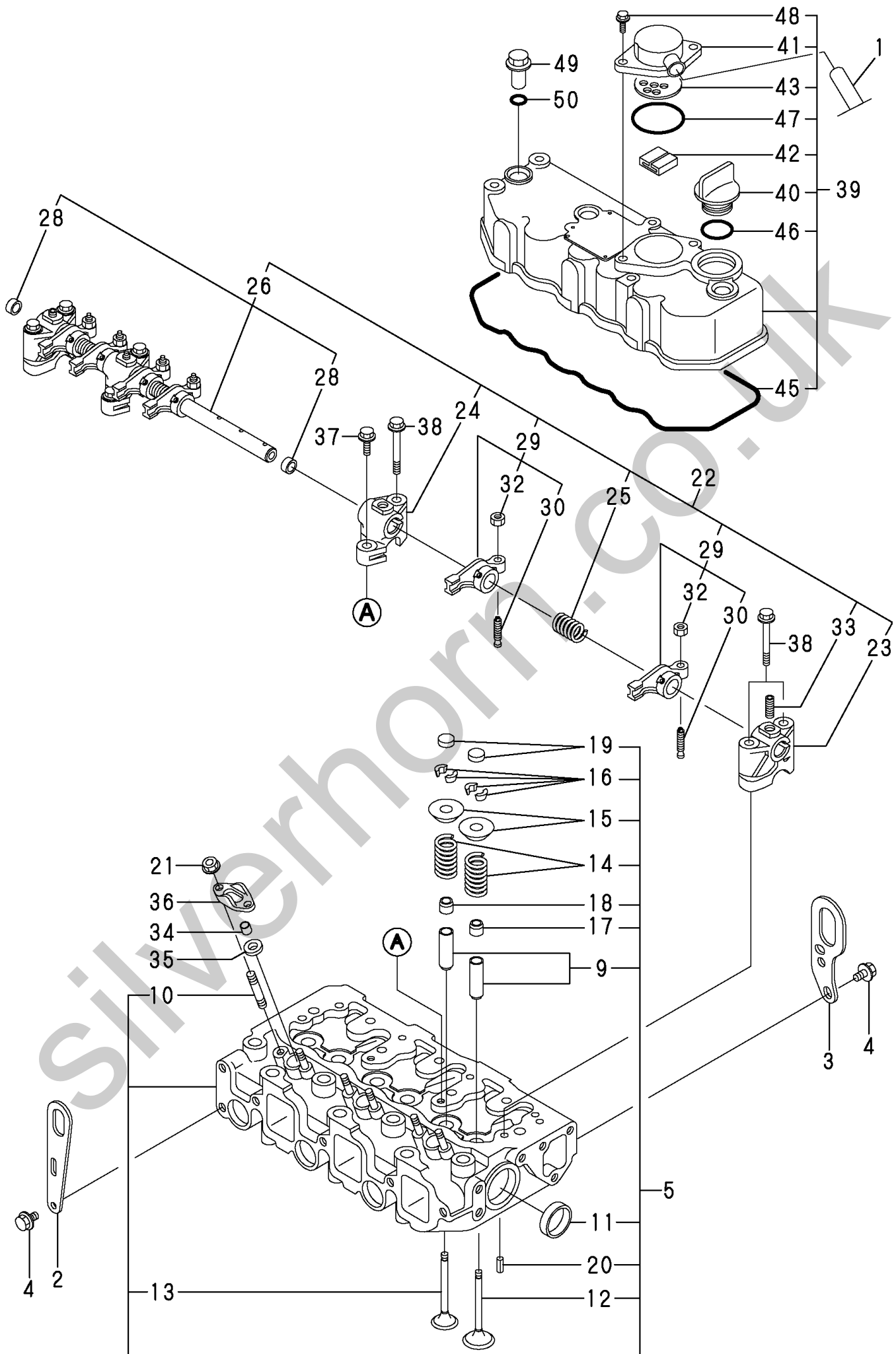


1,1,,129100-01580,, "PARALLEL PIN 8X16",2,2,,,,,,,,,,,,,,,,,,,,,
2,1,,129612-01600,, "HOUSING, FLYWHEEL",1,1,,,,,,,,,,,,,,,,,,,,,
3,1,,119620-01750,, "CAP, FLYWHEEL COVER",1,1,,,,,,,,,,,,,,,,,,,,,
4,1,,26206-100252,, "BOLT M10X25",6,6,,,,,,,,,,,,,,,,,,,,,
5,1,,26206-100302,, "BOLT M10X30",4,4,,,,,,,,,,,,,,,,,,,,,
6,1,,119810-01790,, "SUMP ASSY, OIL",1,1,,,,,,,,,,,,,,,,,,,,,
7,2,,119640-01640,, "DRAIN PLUG M22",1,1,,,,,,,,,,,,,,,,,,,,,
9,2,,22190-220002,, "SEAL WASHER 22S",1,1,,,,,,,,,,,,,,,,,,,,,
10,1,,129100-01580,, "PARALLEL PIN 8X16",2,2,,,,,,,,,,,,,,,,,,,,,
11,1,,26106-080162,, "BOLT M 8X 16 PLATED",6,6,,,,,,,,,,,,,,,,,,,,,
12,1,,26106-080452,, "BOLT M 8X 45 PLATED",22,22,,,,,,,,,,,,,,,,,,,,,
13,1,,119810-01730,, "SPACER, L.O. SUMP",1,1,,,,,,,,,,,,,,,,,,,,,
14,1,,719810-01650,, "CASE ASSY, OIL SEAL",1,1,,,,,,,,,,,,,,,,,,,,,
15,2,,119860-01650,, "CASE, OIL SEAL",1,1,,,,,,,,,,,,,,,,,,,,,
16,2,,119810-01780,, "SEAL, OIL",1,1,,,,,,,,,,,,,,,,,,,,,
17,1,,129486-01670,, "BOLT M8X30, COLLAR HD",6,6,,,,,,,,,,,,,,,,,,,,,
18,1,,26106-080352,, "BOLT M 8X 35 PLATED",3,3,,,,,,,,,,,,,,,,,,,,,

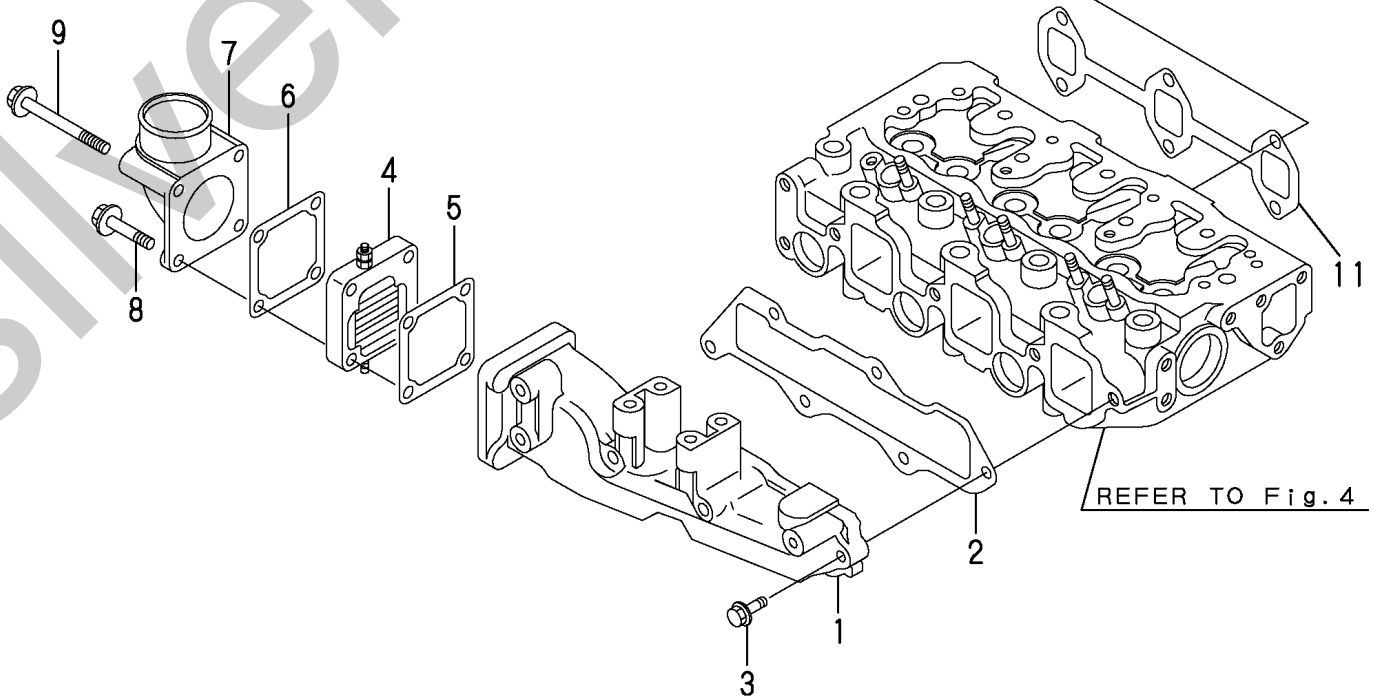
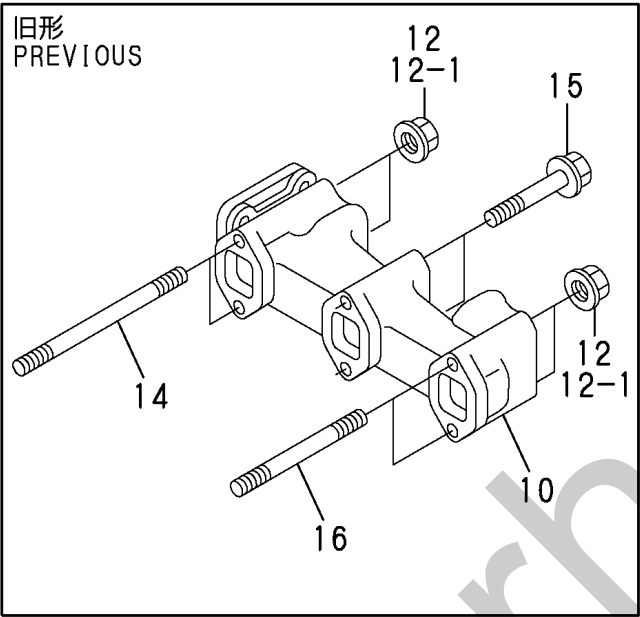
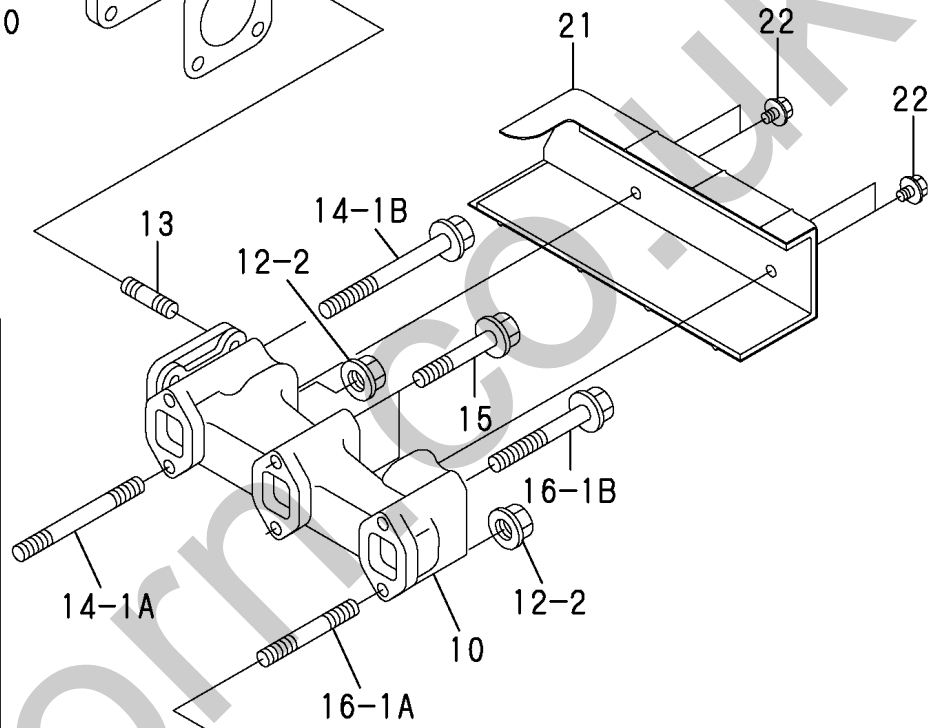
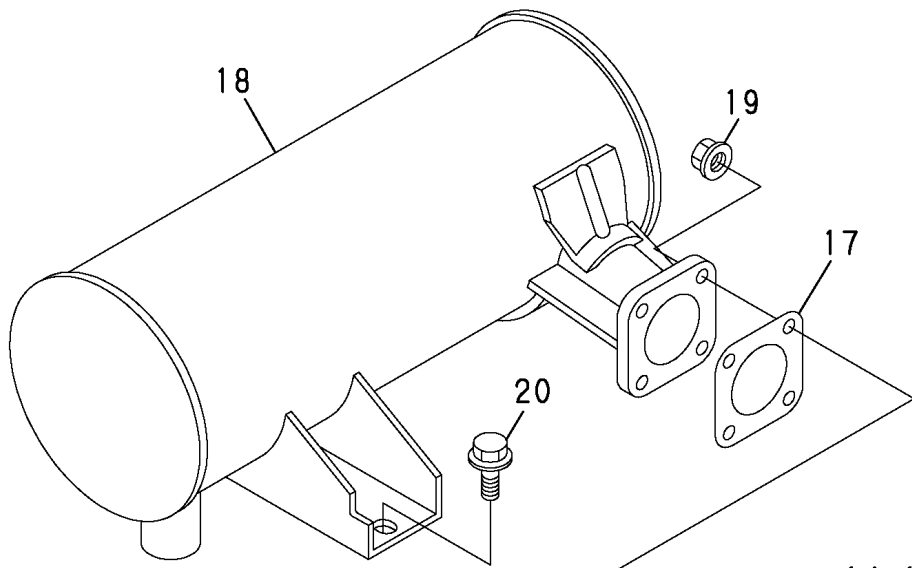
Silverhorn.CO.UK



1,1,,23065-160800,,PIPE,1,1,,,,,,,,,,,,,
2,1,,124736-07900,,,"LIFTER, ENGINE",1,1,,,,,,,,,,,,,
3,1,,119260-07900,,,"LIFTER, ENGINE",1,1,,,,,,,,,,,,,
4,1,,26106-080142,,,"BOLT M 8X 14 PLATED",4,4,,,,,,,,,,,,,
5,1,,719812-11700,,,"HEAD ASSY, CYLINDER",1,1,,,,,,,,,,,,,
9,3,,124060-11800,,,"GUIDE, VALVE",6,6,,,,,,,,,1,,,,,,,,,,,,,
10,3,,26216-060302,,,"STUD M 6X 30 PLATED",6,6,,,,,,,,,,,,,
11,3,,27241-400000,,,"PLUG 40",2,2,,,,,,,,,,,,,
12,2,,119810-11100,,,"VALVE, SUCTION",3,3,,,,,,,,,,,,,
13,2,,119810-11110,,,"VALVE, EXHAUST",3,3,,,,,,,,,,,,,
14,2,,119810-11120,,,"SPRING, VALVE",6,6,,,,,,,,,,,,,
15,2,,104211-11180,,,"RETAINER, SPRING",6,6,,,,,,,,,,,,,
16,2,,27310-070001,,,"COTTER ASSY",6,6,,,,,,,,,,,,,
17,2,,124160-11340,,,"SEAL, VALVE STEM",3,3,,,,,,,,,,,,,
18,2,,124950-11340,,,"SEAL, VALVE STEM",3,3,,,,,,,,,,,,,
19,2,,104211-11370,,,"CAP, VALVE",6,6,,,,,,,,,,,,,
20,2,,22351-060012,,,"SPRING PIN 6X12",2,2,,,,,,,,,,,,,
21,1,,26366-060002,,,"NUT M 6",6,6,,,,,,,,,,,,,
22,1,,119865-11210,,,"SUPPORT ASSY, ROCKER",1,1,,,,,,,,,,,,,
23,2,,129155-11260,,,"SUPPORT, ROCKER ARM",2,2,,,,,,,,,,,,,
24,2,,129155-11270,,,"SUPPORT, ROCKER ARM",2,2,,,,,,,,,,,,,
25,2,,129150-11280,,,"SPRING",3,3,,,,,,,,,,,,,
26,2,,119810-11240,,,"SHAFT, ROCKER ARM",1,1,,,,,,,,,,,,,
28,3,,27241-100000,,,"PLUG 10",2,2,,,,,,,,,,,,,
29,2,,719810-11660,,,"ARM ASSY, ROCKER",6,6,,,,,,,,,,,,,
30,3,,129150-11230,,,"SCREW, VALVE",6,6,,,,,,,,,,,,,
32,3,,129150-11750,,,"NUT M8XP1.0",6,6,,,,,,,,,,,,,
33,2,,26226-080182,,,"STUD M 8X 18 PLATED",3,3,,,,,,,,,,,,,
33-1,2,,119802-11280,,,"STUD",3,3,,,,,R,,TE-01429,E/#67520,TE-01429,E/#71560,,,,,,
34,1,,119625-11870,,,"PROTECTOR, NOZZLE",3,3,,,,,,,,,,,,,
34-1,1,,119625-11872,,,"PROTECTOR, NOZZLE",3,3,,,,,R,,TE-01436,E/#67520,TE-01436,E/#72461,,,,,,
34-2,1,,119625-11870,,,"PROTECTOR, NOZZLE",3,3,,,,,N,,TE-02221,E/#77961,TE-02221,E/#74708,,,,,,I
35,1,,119625-11880,,,"SEAT, NOZZLE",3,3,,,,,,,,,,,,,
36,1,,119625-11900,,,"RETAINER",3,3,,,,,,,,,,,,,
37,1,,26106-080252,,,"BOLT M 8X 25 PLATED",2,2,,,,,,,,,,,,,
38,1,,26106-080502,,,"BOLT M 8X 50 PLATED",6,6,,,,,,,,,,,,,
39,1,,719810-11521,,,"BONNET ASSY",1,1,,,,,,,,,,,,,
40,2,,124160-01751,,,"COVER,FILLER",1,1,,,,,,,,,,,,,
41,2,,129150-03020,,,"COVER, BREATHER",1,1,,,,,,,,,,,,,
42,2,,129150-03070,,,"BAFFLE, BREATHER",1,1,,,,,,,,,,,,,
43,2,,129150-03080,,,"PLATE, SHELTER",1,1,,,,,,,,,,,,,
45,2,,119865-11310,,,"GASKET, BONNET",1,1,,,,,,,,,,,,,
46,2,,24311-000320,,,"O-RING 1A P-32.0",1,1,,,,,,,,,,,,,
47,2,,24341-000500,,,"O-RING 1A S-50.0",1,1,,,,,,,,,,,,,
48,2,,26106-080162,,,"BOLT M 8X 16 PLATED",2,2,,,,,,,,,,,,,
49,1,,124160-11360,,,"KNOB",3,3,,,,,,,,,,,,,
50,1,,24311-000120,,,"O-RING 1A P 12.0",3,3,,,,,,,,,,,,,

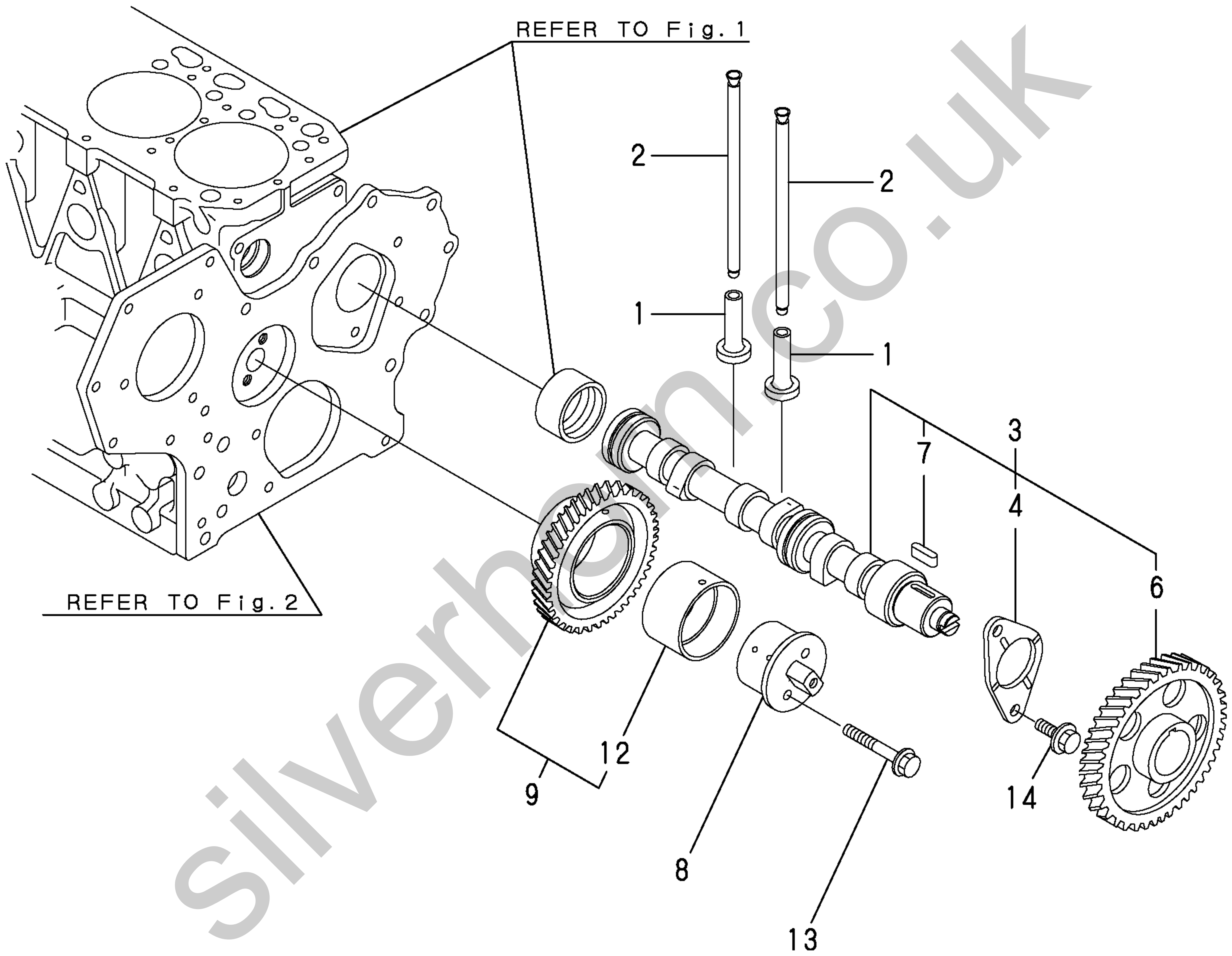


1,1,,119813-12100,, "MANIFOLD, INTAKE",1,1,,,,,,,,,,,,,,,,,
2,1,,119813-12110,, "GASKET,INT. MANIFOLD",1,1,,,,,,,,,,,,,,,,,
3,1,,26106-080252,, "BOLT M 8X 25 PLATED",6,6,,,,,,,,,,,,,,,,,
4,1,,129100-77500,, "HEATER, AIR",1,1,,,,,,,,,,,,,,,,,
5,1,,129150-77511,, "GASKET, (NON-ASB.)",1,1,,,,,,,,,,,,,,,,,
6,1,,129100-77510,, "GASKET, AIR HEATER",1,1,,,,,,,,,,,,,,,,,
7,1,,171340-77520,, BEND,1,1,,,,,,,,,,,,,,,,,
8,1,,26106-080402,, "BOLT M 8X 40 PLATED",2,2,,,,,,,,,,,,,,,,,
9,1,,26106-080802,, "BOLT M 8X 80 PLATED",2,2,,,,,,,,,,,,,,,,,
10,1,,119813-13120,, "MANIFOLD,EXHAUST",1,1,,,,,,,,,,,,,,,,,
11,1,,119810-13110,, "GASKET, EXH.MANIFOLD",1,1,,,,,,,,,,,,,,,,,
12,1,,26366-080002,, "NUT M 8",4,4,,,,,,,,,,,,,,,,,
12-1,1,,26306-080002,, NUT,4,4,,,,,R,,JH-01017,E/#65975,JH-01017,E/#67837,,,,,
12-2,1,,26306-080002,, NUT,2,2,,,,,K,,*,EXXX,* ,EXXX,,,,,I
13,1,,119131-18320,, "BOLT M 8X 22",4,4,,,,,,,,,,,,,,,,,
14,1,,26216-080802,, "STUD M 8X 80 PLATED",2,2,,,,,,,,,,,,,,,,,
14-1A,1,,123900-13610,, "STUD BOLT M 8X 80",1,1,,,,,N,,TE-02073,E/#77961,TE-
02073,E/#75171,,,,,I
14-1B,1,,123900-13630,, "BOLT 8X80",1,1,,,,,N,,*,EXXX,* ,EXXX,,,,,I
15,1,,26106-080602,, "BOLT M 8X 60 PLATED",2,2,,,,,,,,,,,,,,,,,
15-1,1,,119802-13640,, "BOLT, M8X60",2,2,,,,,N,,TE-02073,E/#77961,TE-
02073,E/#75171,,,,,I
16,1,,26216-080602,, "STUD M 8X 60 PLATED",2,2,,,,,,,,,,,,,,,,,
16-1A,1,,119802-13740,, "STUD M 8X 60",1,1,,,,,N,,TE-02073,E/#77961,TE-
02073,E/#75171,,,,,I
16-1B,1,,119802-13640,, "BOLT, M8X60",1,1,,,,,N,,TE-02073,E/#77961,TE-
02073,E/#75171,,,,,I
17,1,,124701-11911,, "GASKET, (NON-ASB.)",1,1,,,,,,,,,,,,,,,,,
18,1,,119813-13550,, SILENCER,1,1,,,,,,,,,,,,,,,,,
19,1,,26366-080002,, "NUT M 8",4,4,,,,,,,,,,,,,,,,,
19-1,1,,26306-080002,, NUT,4,4,,,,,R,,JH-01017,E/#65975,JH-01017,E/#67837,,,,,
20,1,,26106-100182,, "BOLT M10X 18 PLATED",2,2,,,,,,,,,,,,,,,,,
21,1,,119813-13510,, "COVER,SILENCER",1,1,,,,,,,,,,,,,,,,,
22,1,,26106-080102,, "BOLT M 8X 10 PLATED",4,4,,,,,,,,,,,,,,,,,



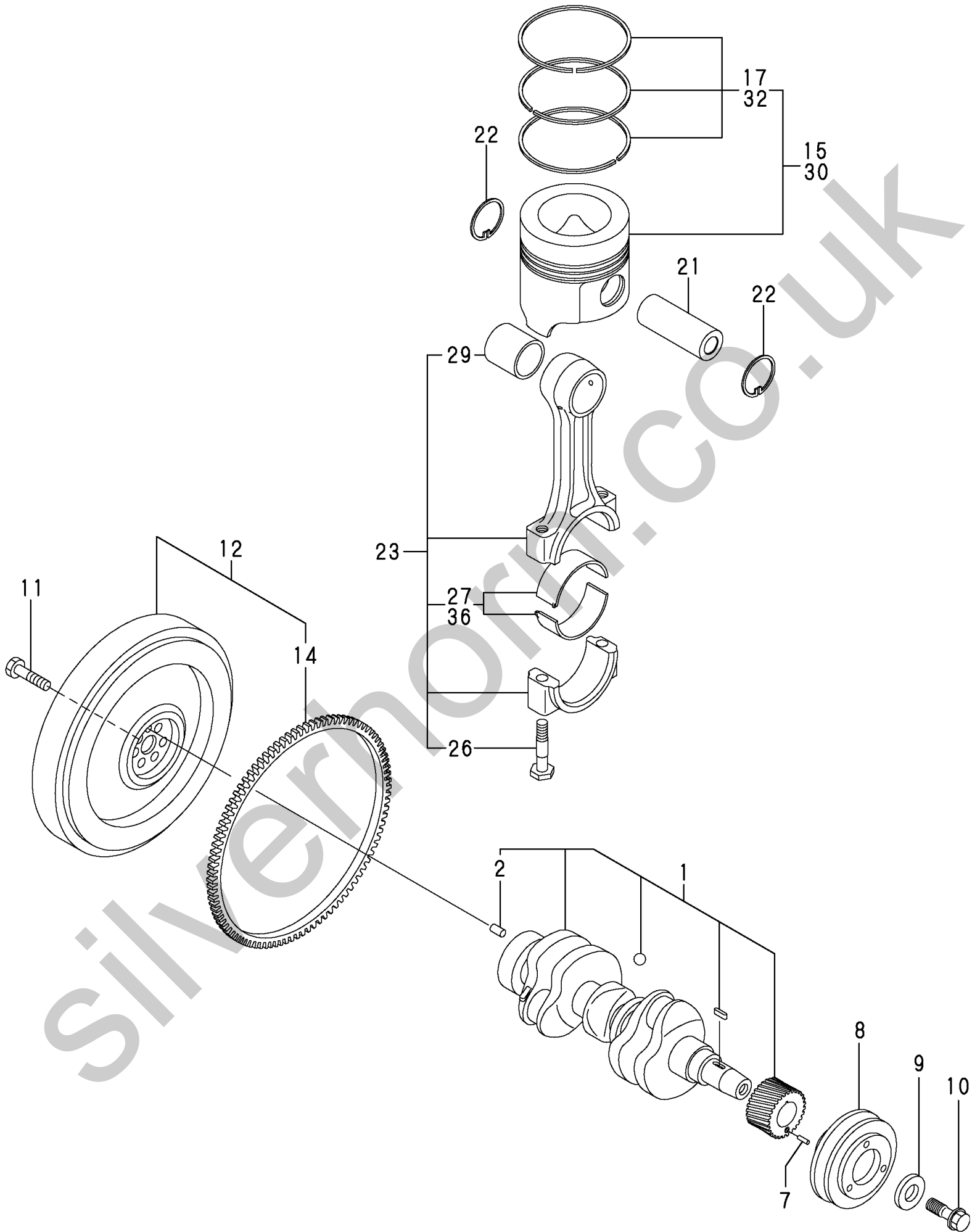
1,1,,129150-14200,,TAPPET,6,6,,,,,,,,,,,,,
2,1,,119810-14400,,,"ROD, PUSH",6,6,,,,,,,,,,,,,
3,1,,119810-14580,,,"CAMSHAFT ASSY",1,1,,,,,,,,,,,,,
4,2,,129150-02450,,,"METAL,THRUST(CAM",1,1,,,,,,,,,,,,,
6,2,,129150-14101,,,"GEAR, CAMSHAFT",1,1,,,,,,,,,,,,,
7,2,,22512-070140,,,"KEY 7X 14",1,1,,,,,,,,,,,,,
8,1,,129100-25061,,,"SHAFT, IDLE GEAR",1,1,,,,,,,,,,,,,
9,1,,129150-25101,,,"GEAR W/BUSH",1,1,,,,,,,,,,,,,
12,2,,129150-25920,,,"BUSH, IDLE GEAR",1,1,,,,,1,,,,,,,,,,,,,
13,1,,26106-080452,,,"BOLT M 8X 45 PLATED",2,2,,,,,,,,,,,,,
14,1,,26106-080142,,,"BOLT M 8X 14 PLATED",2,2,,,,,,,,,,,,,

Silverhorn.CO.UK



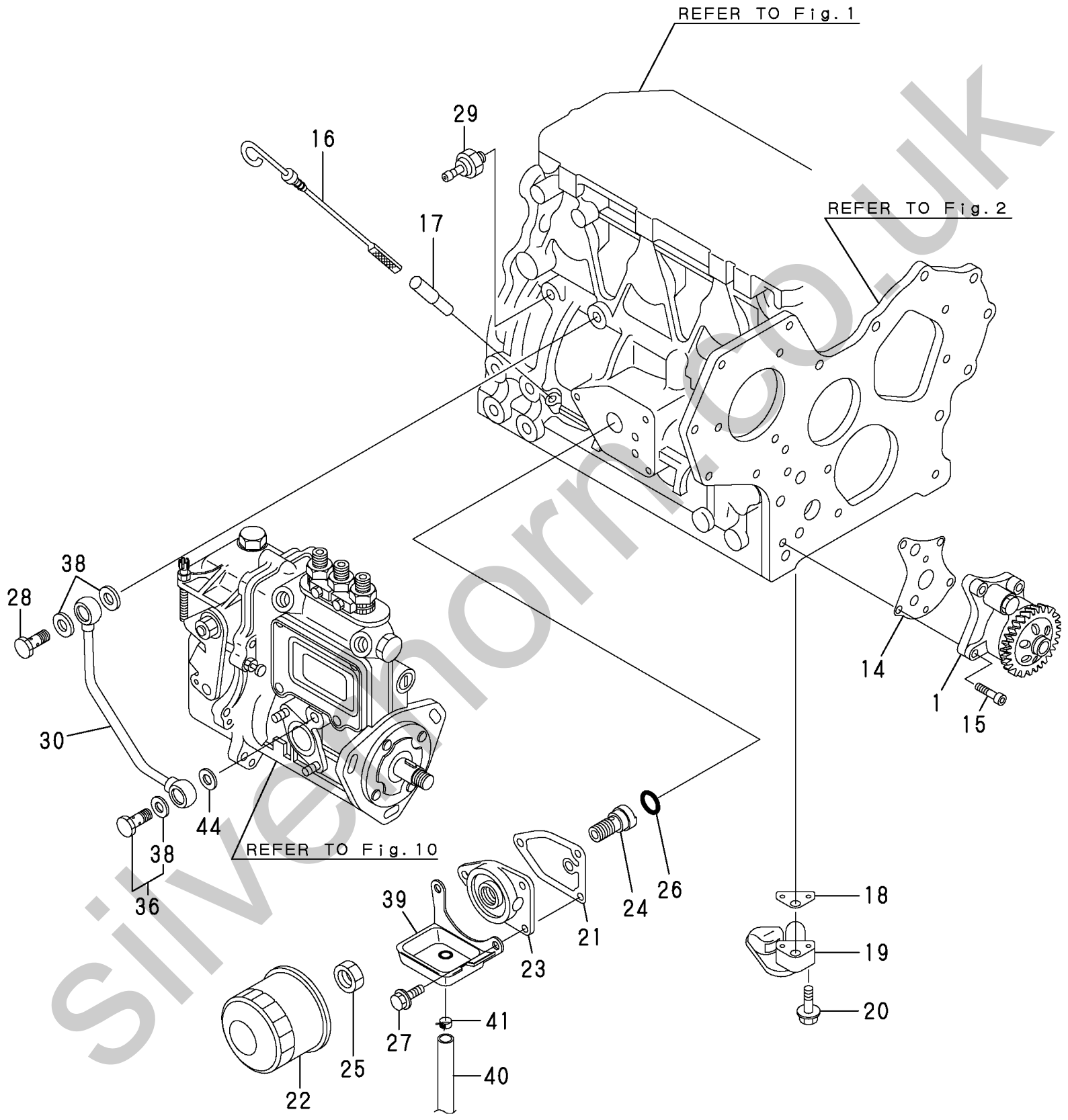
1,1,,119813-21000,, "CRANKSHAFT ASSY",1,1,,,,,,,,,,,,,,,,,
2,2,,129100-01580,, "PARALLEL PIN 8X16",1,1,,,,,,,,,,,,,,,,,
7,1,,22351-040010,, "SPRING PIN 4X10",1,1,,,,,,,,,,,,,,,,,
8,1,,171301-21650,, "V-PULLEY, CRANKSHAFT",1,1,,,,,,,,,,,,,,,,,
9,1,,129795-21661,, "WASHER",1,1,,,,,,,,,,,,,,,,,
10,1,,121850-21680,, "BOLT, V-PULLEY",1,1,,,,,,,,,,,,,,,,,
11,1,,121111-21501,, "BOLT, FLYWHEEL",6,6,,,,,,,,,,,,,,,,,
12,1,,171325-21590,, "FLYWHEEL W/GEAR",1,1,,,,,,,,,,,,,,,,,
14,2,,119865-21600,, "GEAR, RING",1,1,,,,,,,,,,,,,,,,,
15,1,,119813-22080,, "PISTON ASSY",3,3,,,,,,,,,,,,,,,,,
17,2,,119813-22500,, "RING SET, PISTON",3,3,,,,,,,,,,,,,,,,,
21,1,,119813-22300,, "PIN, PISTON",3,3,,,,,,,,,,,,,,,,,
22,1,,129792-22400,, "CIRCLIP 23",6,6,,,,,,,,,,,,,,,,,
23,1,,719810-23100,, "ROD ASSY, CONNECTING",3,3,,,,,,,,,,,,,,,,,
26,2,,119810-23200,, "BOLT, CONNECTING ROD",6,6,,,,,,,,,,,,,,,,,
27,2,,119810-23600,, "BEARING, CRANKPIN",3,3,,,,,,,,,,,,,,,,,
29,2,,119810-23910,, "BUSH, PISTON PIN",3,3,,,,,3,,,,,,,,,
30,1,,119813-22900,, "PISTON W/RING OS=.25",3,3,,,,,1,,,,,,,,,
32,2,,129003-22950,, "RING SET O.S=0.25",3,3,,,,,1,,,,,,,,,
36,1,,119810-23610,, "BEARING,PIN U.S=0.25",3,3,,,,,2,,,,,,,,,

Silverhorn.CO.UK



1,1,,129001-32001,, "PUMP ASSY, LUB. OIL",1,1,,,,,,,,,,,,,,,,,
 14,1,,129150-32020,, "GASKET, L.O. PUMP",1,1,,,,,,,,,,,,,,,,,
 15,1,,26450-060252,, "BOLT M 6X 25",4,4,,,,,,,,,,,,,,,,,
 16,1,,119640-34800,, "DIPSTIC",1,1,,,,,,,,,,,,,,,,,
 17,1,,121520-34810,, "GUIDE, DIPSTICK",1,1,,,,,,,,,,,,,,,,,
 18,1,,129150-35041,, "GASKET, (NON-ASB.)",1,1,,,,,,,,,,,,,,,,,
 19,1,,119810-35401,, "PIPE ASSY, OIL INLET",1,1,,,,,,,,,,,,,,,,,
 20,1,,26106-080352,, "BOLT M 8X 35 PLATED",2,2,,,,,,,,,,,,,,,,,
 21,1,,129150-35111,, "GASKET, (NON-ASB.)",1,1,,,,,,,,,,,,,,,,,
 22,1,,129150-35151,, "FILTER 80X80L",1,1,,,,,,,,,,,,,,,,,
 22-1,1,,129150-35152,, "FILTER 80X80L",1,1,,,,,R,,YDSTE-03236,E/#78464,YDSTE-
 03236,E/#79961,,,,,,,,,I
 23,1,,129150-35101,, "BRACKET, STRAINER",1,1,,,,,,,,,,,,,,,,,
 24,1,,129001-35300,, "BOLT,LUB.O. STRAINER",1,1,,,,,,,,,,,,,,,,,
 25,1,,129150-35350,, "NUT",1,1,,,,,,,,,,,,,,,,,
 26,1,,24311-000160,, "O-RING 1A P-16.0",1,1,,,,,,,,,,,,,,,,,
 27,1,,26106-080222,, "BOLT M 8X 22 PLATED",3,3,,,,,,,,,,,,,,,,,
 28,1,,124160-39140,, "BOLT 10, PIPE JOINT",1,1,,,,,,,,,,,,,,,,,
 29,1,,114250-39450,, "SWITCH,(0.5KG)L.O.",1,1,,,,,,,,,,,,,,,,,
 30,1,,119810-39200,, "PIPE ASSY, LUB. OIL",1,1,,,,,,,,,,,,,,,,,
 34,1,,124550-59830,, "BOLT W/ SEAL WASHER",1,1,,,,,,,,,,,,,,,,,
 36,2,,22190-080002,, "SEAL WASHER 8S",1,1,,,,,,,,,,,,,,,,,
 37,1,,22190-080002,, "SEAL WASHER 8S",1,1,,,,,,,,,,,,,,,,,
 38,1,,22190-100002,, "SEAL WASHER 10S",2,2,,,,,,,,,,,,,,,,,
 39,1,,129211-35802,, "SAUCER, L.O.",1,1,,,,,,,,,,,,,,,,,
 40,1,,23065-120250,, "HOSE 12* 250",1,1,,,,,,,,,,,,,,,,,
 41,1,,23080-014000,, "CLAMP 14",1,1,,,,,,,,,,,,,,,,

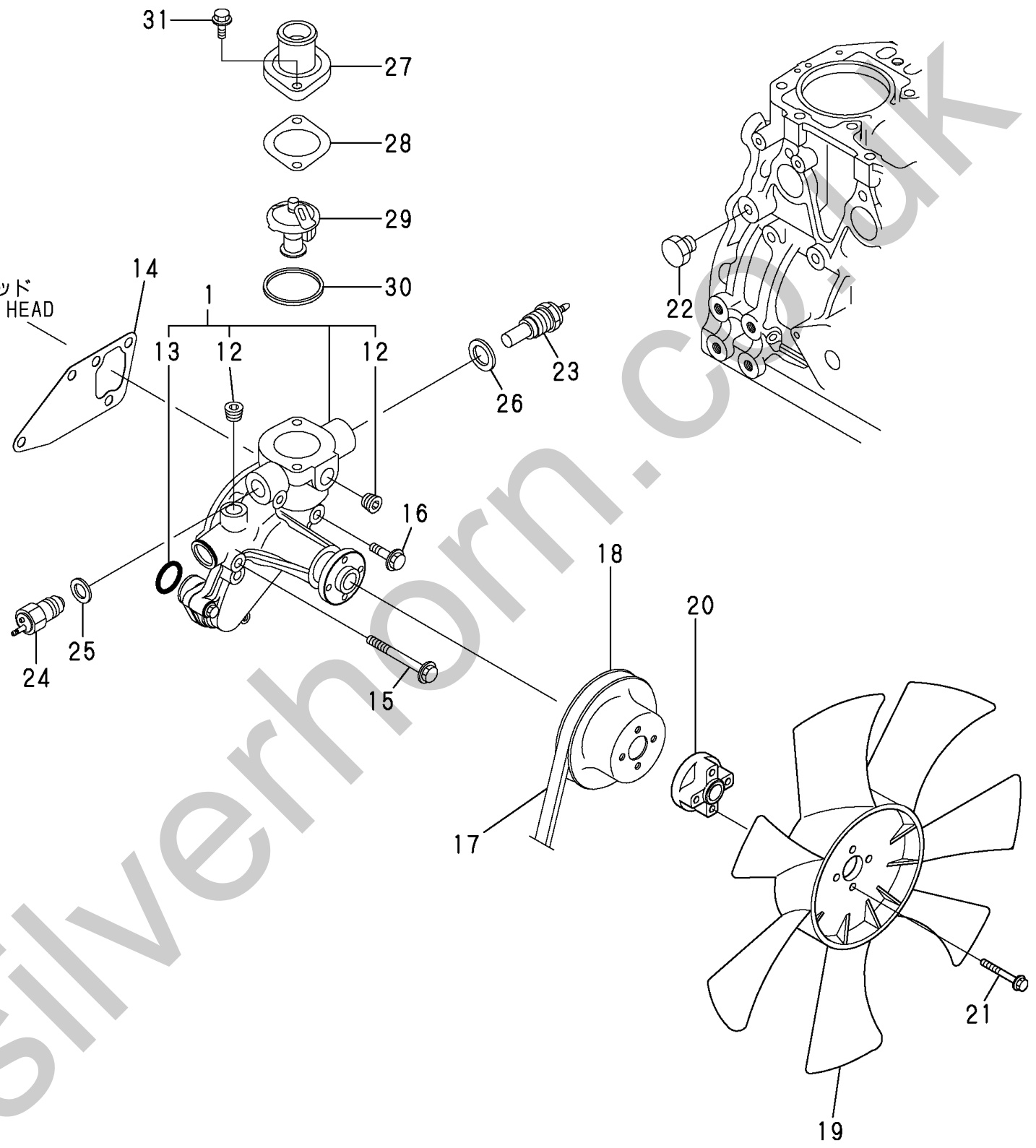




1,1,,119810-42001,, "PUMP,C.W.(NON-ASB.)",1,1,,,,,,,,,,,,,,,,,
12,2,,23876-030000,, "PLUG PT3/8,SCREW",2,2,,,,,,,,,,,,,,,,,
13,2,,129150-42320,, O-RING,1,1,,,,,,,,,,,,,,,,,
14,1,,129486-42050,, GASKET,1,1,,,,,,,,,,,,,,,,,
15,1,,26106-080552,, "BOLT M 8X 55 PLATED",3,3,,,,,,,,,,,,,,,,,
16,1,,26106-080352,, "BOLT M 8X 35 PLATED",1,1,,,,,,,,,,,,,,,,,
17,1,,119813-42290,, V-BELT(A-39),1,,,,,,,,,,,,,,,,,
17-1,1,,129612-42360,, "V-BELT, A39",1,,,,,,N,*EXXX,,,,,,,,,I
17A,1,,129211-42290,, V-BELT,1,,,,,,,,,,,,,,,,,
18,1,,129120-42350,, "V-PULLEY, F.W.PUMP",1,,,,,,,,,,,,,,,,,
18A,1,,129403-42380,, V-PULLEY(D=110),,1,,,,,,,,,,,,,,,,,
19,1,,119813-44700,, "FAN, COOLING",1,,,,,,,,,,,,,,,,,
19A,1,,171440-44740,, "FAN, COOLING D=350",,1,,,,,,,,,,,,,,,,,
20,1,,171353-44760,, SPACER,1,,,,,,,,,,,,,,,,,
20A,1,,129030-44760,, SPACER,,1,,,,,,,,,,,,,,,,,
21,1,,26106-060452,, "BOLT M 6X 45 PLATED",4,,,,,,,,,,,,,,,,,
21A,1,,26106-060502,, "BOLT M 6X 50 PLATED",,4,,,,,,,,,,,,,,,,,
22,1,,171056-49120,, "PLUG, DRAIN",1,1,,,,,,,,,,,,,,,,,
23,1,,171056-49351,, SENSER,1,1,,,,,,,,,,,,,,,,,
24,1,,121250-44901,, "SWITCH, THERMO(110&C",1,1,,,,,,,,,,,,,,,,,
25,1,,124465-44950,, "GASKET 16",1,1,,,,,,,,,,,,,,,,,
26,1,,129150-49360,, "GASKET 10",1,1,,,,,,,,,,,,,,,,,
27,1,,129350-49530,, "COVER, THERMOSTAT",1,1,,,,,,,,,,,,,,,,,
28,1,,129795-49551,, "GASKET, (NON-ASB.)",1,1,,,,,,,,,,,,,,,,,
29,1,,129155-49800,, THERMOSTAT,1,1,,,,,,,,,,,,,,,,,
29-1,1,,129155-49801,, "THERMOSTAT (71)",1,1,,,,,R,,TE-03001,E/#78464,TE-
03001,E/#78736,,,,,,,,,I
30,1,,129150-49811,, "GASKET, (NON-ASB.)",1,1,,,,,,,,,,,,,,,,,
31,1,,26106-080222,, "BOLT M 8X 22 PLATED",2,2,,,,,,,,,,,,,,,,,



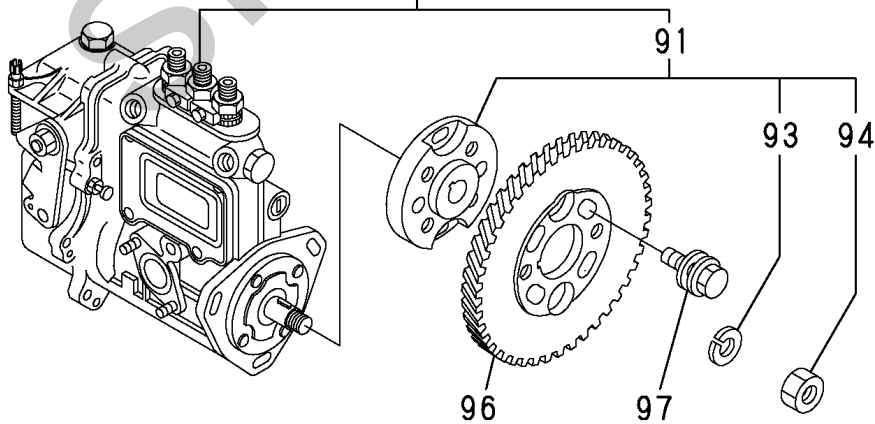
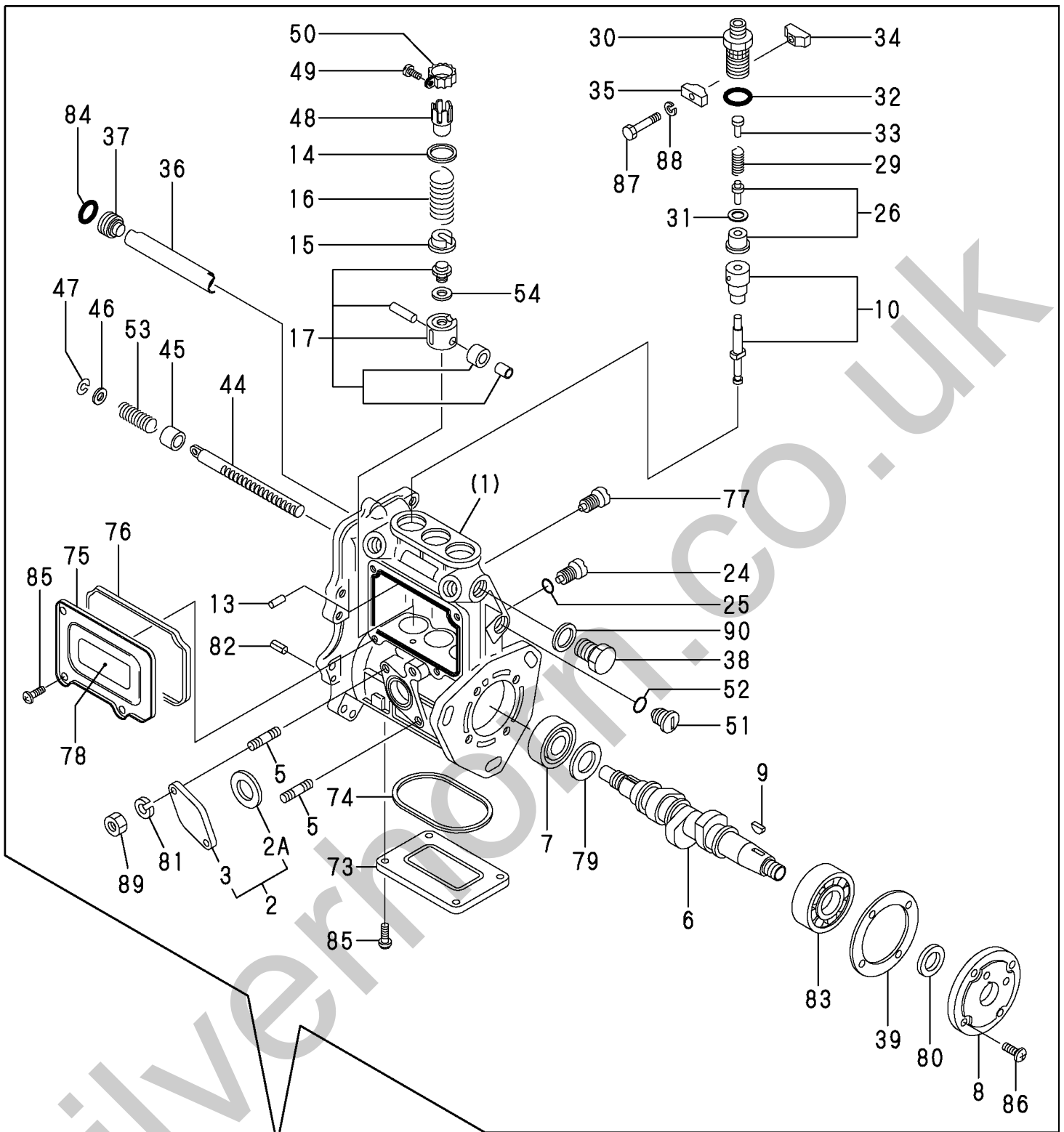
シリンダヘッド
CYLINDER HEAD



1,1,,719824-51480,, "PUMP ASSY, F.I.PUMP",1,1,,,,,1,,,,,
2,2,,129255-52000,,COVER,1,1,,,,,
2A,3,,129155-52050,,GASKET,1,1,,,,,
2A-1,3,,129155-52051,,GASKET,1,1,,,,,N,,*,EXXX*,EXXX,,,,,I
3,3,,129100-52200,,COVER,1,1,,,,,
5,2,,129155-51020,, "STUD, FEED PUMP",2,2,,,,,
6,2,,119810-51040,,CAMSHAFT,1,1,,,,,
7,2,,129155-51050,, "BALL BEARING, THRUST",1,1,,,,,
7-1,2,,129155-51051,,RETAINER,1,1,,,,,R,,M2-02026,E/#77961,M2-
02026,E/#74306,,,,,I
8,2,,129208-51060,,SUPPORT,1,1,,,,,
9,2,,122710-51090,,KEY,1,1,,,,,
10,2,,129108-51100,, "PLUNGER W/BARREL",3,3,,,,,
13,2,,129155-51140,, "PIN, BARREL LOCKING",3,3,,,,,
14,2,,174307-51170,, "RETAINER A",3,3,,,,,
15,2,,129155-51180,, "SPRING SHOE, PLUNGER",3,3,,,,,
16,2,,124950-51190,, "SPRING, PLUNGER",3,3,,,,,
17,2,,129155-51200,, "TAPPET ASSY",3,3,,,,,
24,2,,129155-51270,, "LOCKING, TAPPET",3,3,,,,,
25,2,,129155-51280,, "O-RING S6",3,3,,,,,
26,2,,129450-51300,, "VALVE, DELIVERY",3,3,,,,,
29,2,,129155-51320,, "SPRING, DELIV. VALVE",3,3,,,,,
30,2,,129155-51340,, "GUARD,DELIVERY VALVE",3,3,,,,,
31,2,,124550-51350,, "GASKET, DELIVERY",3,3,,,,,
32,2,,124550-51370,, "O-RING, DELIVERY",3,3,,,,,
33,2,,129155-51370,, "STOPPER, VALVE",3,3,,,,,
34,2,,129155-51380,, "LOCKING (A)",2,2,,,,,
35,2,,129155-51390,, "LOCKING (B)",2,2,,,,,
36,2,,129155-51400,,DEFLECTOR,1,1,,,,,
37,2,,129155-51410,, "CHECK BOLT,DEFLECTOR",1,1,,,,,
38,2,,129155-51420,, "PLUG (M16)",1,1,,,,,
39,2,,129155-51450,, "SHIM SET, ADJUSTING",1,1,,,,,
44,2,,129155-51500,, "RACK, CONTROL",1,1,,,,,
45,2,,129155-51521,, "BUSH, RACK",1,1,,,,,
46,2,,129155-51530,, "SPACER, AUX. SPRING",1,1,,,,,
47,2,,129155-51540,,CIRCLIP,1,1,,,,,
48,2,,129155-51550,, "PINION, CONTROL",3,3,,,,,
49,2,,122117-51560,, "SCREW, PINION",3,3,,,,,
49-1,2,,129100-51570,,SCREW,3,3,,,,,N,,M1-00186,E/#64983,M1-
00186,E/#65066,,,,,
50,2,,174307-51560,,PINION,3,3,,,,,
51,2,,129155-51570,, "PLUG (M12)",1,1,,,,,
52,2,,129155-51580,,O-RING,1,1,,,,,
53,2,,129155-51591,, "SPRING, RACK",1,1,,,,,
54,2,,129155-51600,, "SHIM PACK",3,3,,,,,
73,2,,129155-51701,,COVER,1,1,,,,,
74,2,,129155-51710,, "GASKET, LOWER COVER",1,,,,,
74-1,2,,129155-51711,,PACKING,1,1,,,,,N,,M1-00113,E/#60905,,,,,
75,2,,129155-51751,, "COVER, SIDE",1,1,,,,,
76,2,,129155-51760,, "GASKET, SIDE COVER",1,1,,,,,
76-1,2,,129155-51761,,GASKET,1,1,,,,,N,,*,EXXX*,EXXX,,,,,I
77,2,,129155-51790,, "LOCKING, RACK",1,1,,,,,
78,2,,129156-51910,, "LABEL, CAUTION",1,1,,,,,
79,2,,129155-51930,, "SPACER T=3.25",1,1,,,,,
80,2,,129155-51940,, "SPACER T=1.5",1,1,,,,,
81,2,,22217-060000,, "SPRING WASHER 6",2,2,,,,,
82,2,,22351-050010,, "SPRING PIN 5X10",2,2,,,,,
83,2,,24101-063034,, "BALL BEARING",1,1,,,,,
84,2,,24341-000160,, "O-RING 1A S-16.0",1,1,,,,,
85,2,,26022-050122,, "SCREW M 5X 12",8,8,,,,,
86,2,,26022-060162,, "SCREW M 6X 16",4,4,,,,,
87,2,,26116-050302,, "BOLT M 5X 30 PLATED",2,2,,,,,
88,2,,22217-050000,, "SPRING WASHER 5",2,2,,,,,

89,2,,26716-060002,, "NUT 6",2,2,,,,,,,,,,,,,,,,,,,,,
90,2,,22190-160002,, "SEAL WASHER 16S",1,1,,,,,,,,,,,,,,,,,,,,,
91,2,,129208-54500,, "FLANGE ASSY",1,1,,,,,,,,,,,,,,,,,,,,,
93,3,,22217-120000,, "SPRING WASHER",1,1,,,,,,,,,,,,,,,,,,,,,
94,3,,26716-120002,, "NUT 12",1,1,,,,,,,,,,,,,,,,,,,,,
96,1,,129150-25931,, GEAR,1,1,,,,,,,,,,,,,,,,,,,,,
97,1,,129150-25301,, "BOLT,FI-P",4,4,,,,,,,,,,,,,,,,,,,,,

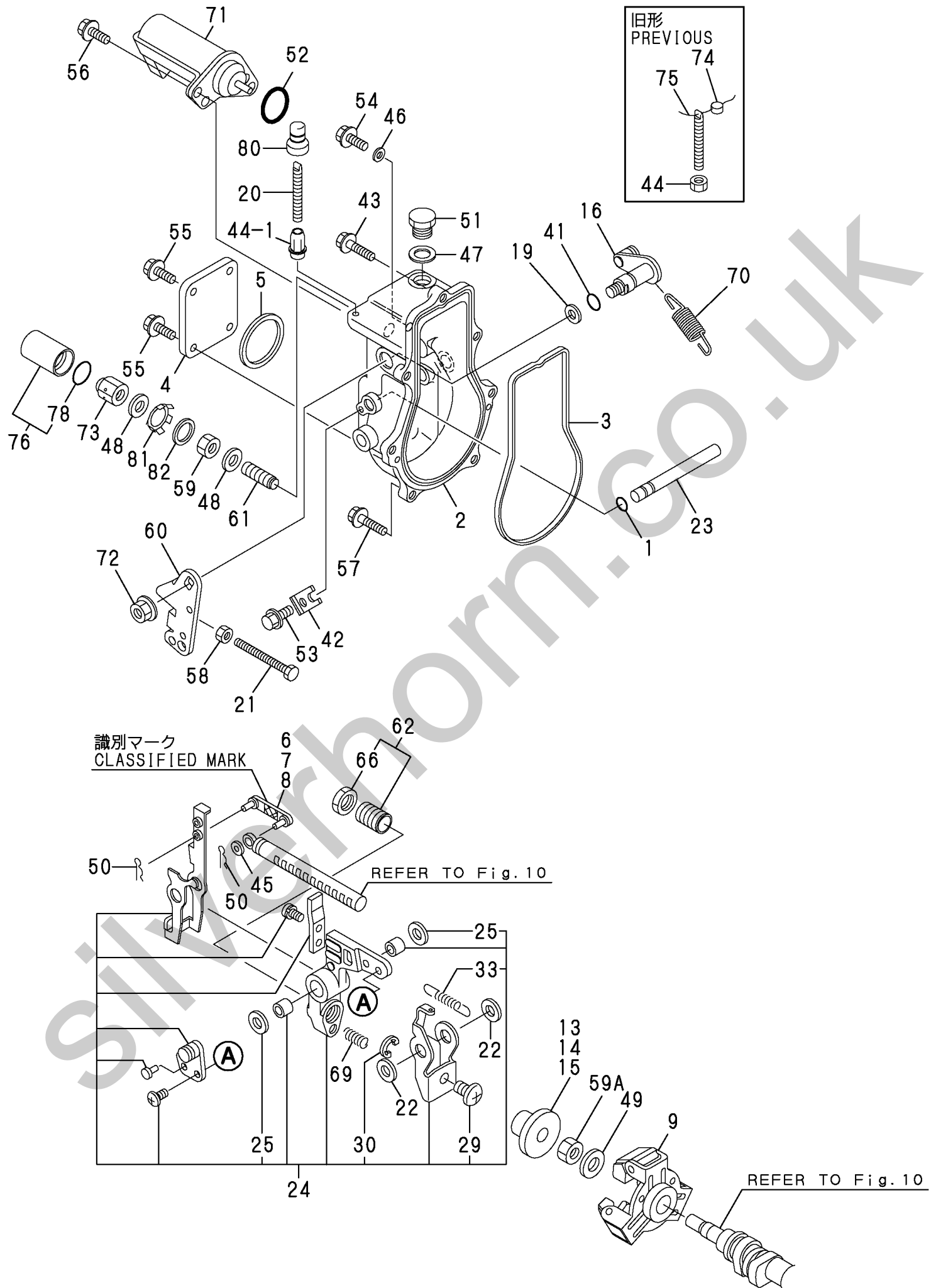
Silverhorn.CO.UK



1,2,,129155-51280,, "O-RING S6",1,1,,,,,,,,,,,,,,,,,,,,,
2,2,,129052-61010,, "CASE, GOVERNOR",1,1,,,,,,,,,,,,,,,,,,,,,
3,2,,129052-61050,, "PACKING",1,1,,,,,,,,,,,,,,,,,,,,,
3-1,2,,129052-61051,, "GASKET, GOV. CASE",1,1,,,,,N,,*,EXXX,,,,,,,,,,,,,I
4,2,,129052-61060,, "COVER",1,1,,,,,,,,,,,,,,,,,,,,,
5,2,,129052-61070,, "PACKING",1,1,,,,,,,,,,,,,,,,,,,,,
5-1,2,,129052-61071,, "GASKET, COVER",1,1,,,,,N,,*,EXXX,,,,,,,,,,,,,I
6,2,,129155-61120,, "LINK L=30(MARK 0)",1,1,,,,,1,,,,,,,,,,,,,
7,2,,129155-61130,, "LINK L=31(MARK 1)",1,1,,,,,1,,,,,,,,,,,,,
8,2,,129155-61140,, "LINK L=30.5(MARK 05)",1,1,,,,,1,,,,,,,,,,,,,
9,2,,129486-61201,, "WEIGHT ASSY,GOVERNOR",1,1,,,,,,,,,,,,,,,,,,,,,
13,2,,129155-61341,, "SLEEVE",1,1,,,,,2,,,,,,,,,,,,,
14,2,,129155-61350,, "SLEEVE",1,1,,,,,2,,,,,,,,,,,,,
15,2,,129155-61360,, "SLEEVE",1,1,,,,,2,,,,,,,,,,,,,
16,2,,129100-61400,, "SHAFT ASSY, CONTROL",1,1,,,,,,,,,,,,,,,,,,,,,
19,2,,129155-61430,, "SPACER, SHAFT",1,1,,,,,,,,,,,,,,,,,,,,,
20,2,,129155-61450,, "BOLT, REVOL. LIMIT",1,1,,,,,,,,,,,,,,,,,,,,,
21,2,,129155-61460,, "BOLT, IDLE LIMIT",1,1,,,,,,,,,,,,,,,,,,,,,
22,2,,129155-61480,, "SPACER ASSY",2,2,,,,,,,,,,,,,,,,,,,,,
23,2,,129052-61390,, "SHAFT, GOV. LEVER",1,1,,,,,,,,,,,,,,,,,,,,,
24,2,,119908-61501,, "LEVER ASSY,GOVERNOR",1,1,,,,,,,,,,,,,,,,,,,,,
25,3,,174307-51700,, "SHIM SET",2,2,,,,,,,,,,,,,,,,,,,,,
29,4,,119600-61540,, "SHIFTER",1,1,,,,,,,,,,,,,,,,,,,,,
30,4,,22272-000040,, "CIRCLIP E- 4",1,1,,,,,,,,,,,,,,,,,,,,,
33,3,,129486-61540,, "SPRING, SET",1,1,,,,,,,,,,,,,,,,,,,,,
41,2,,129155-61830,, "O-RING S10",1,1,,,,,,,,,,,,,,,,,,,,,
42,2,,119660-61901,, "RETAINER, SHAFT",1,1,,,,,,,,,,,,,,,,,,,,,
43,2,,129155-61950,, "BOLT, WASHER BASED",1,1,,,,,,,,,,,,,,,,,,,,,
44,2,,124550-66370,, "LOCK NUT M 6",1,1,,,,,,,,,,,,,,,,,,,,,
44-1,2,,129209-61370,, "NUT M6",1,1,,,,,S,,M1-01226,E/#67520,M1-
01226,E/#71560,,,,,,,,,,,,,
45,2,,22117-040000,, "WASHER 4",1,1,,,,,,,,,,,,,,,,,,,,,
46,2,,22190-060003,, "SEAL WASER 6",1,1,,,,,,,,,,,,,,,,,,,,,
47,2,,22190-100002,, "SEAL WASHER 10S",1,1,,,,,,,,,,,,,,,,,,,,,
48,2,,22190-120002,, "SEAL WASHER 12",2,2,,,,,,,,,,,,,,,,,,,,,
49,2,,22287-120000,, "WASHER 12",1,1,,,,,,,,,,,,,,,,,,,,,
50,2,,22372-040000,, "SNAP PIN 4",2,2,,,,,,,,,,,,,,,,,,,,,
51,2,,23887-100002,, "PLUG 10",1,1,,,,,,,,,,,,,,,,,,,,,
52,2,,24341-000280,, "O-RING 1A S-28.0",1,1,,,,,,,,,,,,,,,,,,,,,
53,2,,26106-060102,, "BOLT M 6X 10 PLATED",1,1,,,,,,,,,,,,,,,,,,,,,
54,2,,26106-060102,, "BOLT M 6X 10 PLATED",1,1,,,,,,,,,,,,,,,,,,,,,
55,2,,26106-060102,, "BOLT M 6X 10 PLATED",4,4,,,,,,,,,,,,,,,,,,,,,
56,2,,26106-060142,, "BOLT M 6X 14 PLATED",2,2,,,,,,,,,,,,,,,,,,,,,
57,2,,26106-060202,, "BOLT M 6X 20 PLATED",6,6,,,,,,,,,,,,,,,,,,,,,
58,2,,26756-060002,, "LOCK NUT 6",1,1,,,,,,,,,,,,,,,,,,,,,
59,2,,26776-120002,, "LOCK NUT M12 PLATED",1,1,,,,,,,,,,,,,,,,,,,,,
59-1,2,,26736-120002,, "NUT M12",1,1,,,,,N,,*,EXXX,*EXXX,,,,,,,,,,,,,
59A,2,,26776-120002,, "LOCK NUT M12 PLATED",1,1,,,,,,,,,,,,,,,,,,,,,
60,1,,129100-61440,, "LEVER, CONTROL",1,1,,,,,,,,,,,,,,,,,,,,,
61,1,,120323-61470,, "BOLT, CONTROL",1,1,,,,,,,,,,,,,,,,,,,,,
62,1,,171353-61550,, "ANGLEICH ASSY",1,1,,,,,,,,,,,,,,,,,,,,,
66,2,,129155-61590,, "NUT",1,1,,,,,,,,,,,,,,,,,,,,,
69,1,,129100-61650,, "SPRING, FUEL CONTROL",1,1,,,,,,,,,,,,,,,,,,,,,
70,1,,129489-61700,, "SPRING, GOVERNOR",1,1,,,,,,,,,,,,,,,,,,,,,
71,1,,119233-77931,, "SOLENOID, STOP",1,1,,,,,,,,,,,,,,,,,,,,,
71-1,1,,119233-77932,, "SOLENOID, STOP",1,1,,,,,N,,M1-01155,E/#67520,M1-
01155,E/#69376,,,,,,,,,,,,,
72,1,,26366-080002,, "NUT M 8",1,1,,,,,,,,,,,,,,,,,,,,,
73,1,,129100-61930,, "NUT, CAP",1,1,,,,,,,,,,,,,,,,,,,,,
73-1,1,,129209-61930,, "CAP NUT",1,1,,,,,R,,M1-01226,E/#67520,M1-
01226,E/#71560,,,,,,,,,,,,,
74,1,,135210-61090,, "LEAD",1,1,,,,,Z,,TE-01408,E/#67520,TE-01408,E/#71560,,,,,,,,,,,,,

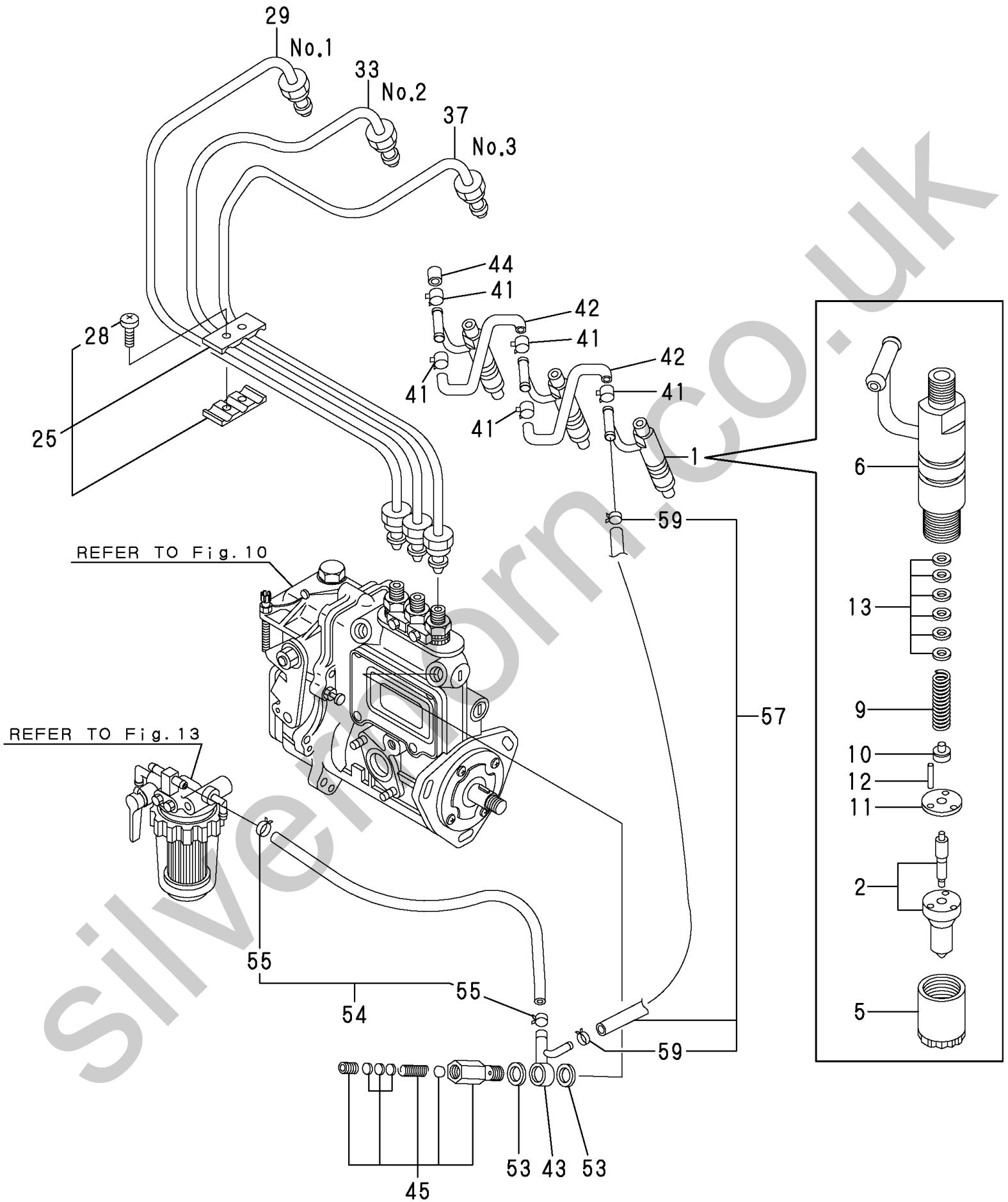
75,1,,22451-060000,, "WIRE 0.6",1,1,,,,,Z,,TE-01408,E/#67520,TE-
01408,E/#71560,,,,,
76,1,,129209-61940,, "CASE ASSY",1,1,,,,,W,,TE-01408,E/#67520,TE-
01408,E/#71560,,,,,
78,2,,24311-000150,, "O-RING 1A P-15.0",1,1,,,,,W,,TE-01408,E/#67520,TE-
01408,E/#71560,,,,,
80,1,,119285-66650,, "CAP, HIGH-IDLE",1,1,,,,,W,3,TE-01408,E/#67520,TE-
01408,E/#71560,,,,,
81,1,,129209-61970,, PLATE,1,1,,,,,W,,M1-01226,E/#67520,M1-01226,E/#71560,,,,,
82,1,,23414-120016,, "GASKET 12",1,1,,,,,W,,M1-01226,E/#67520,M1-
01226,E/#71560,,,,,

Silverhorn.CO.UK



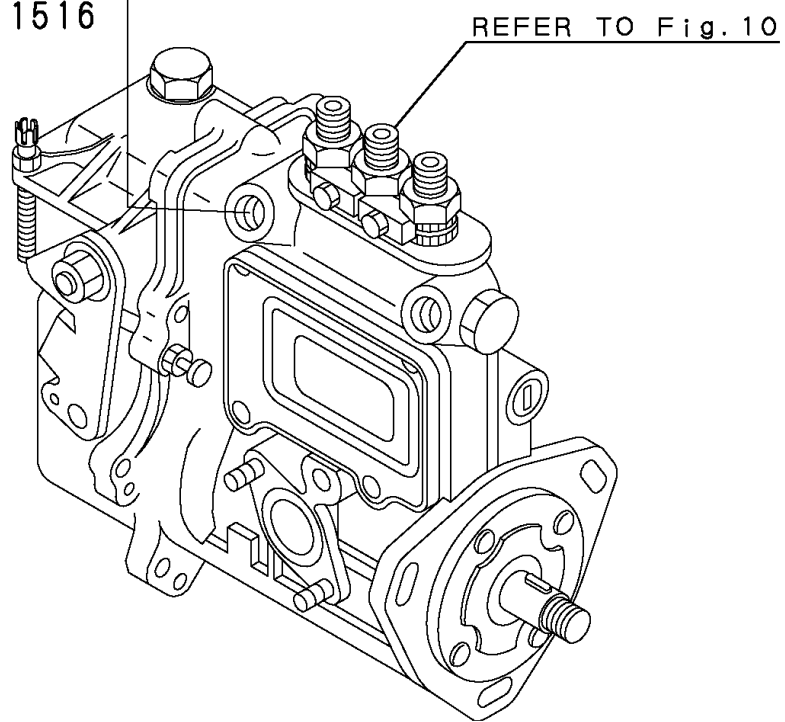
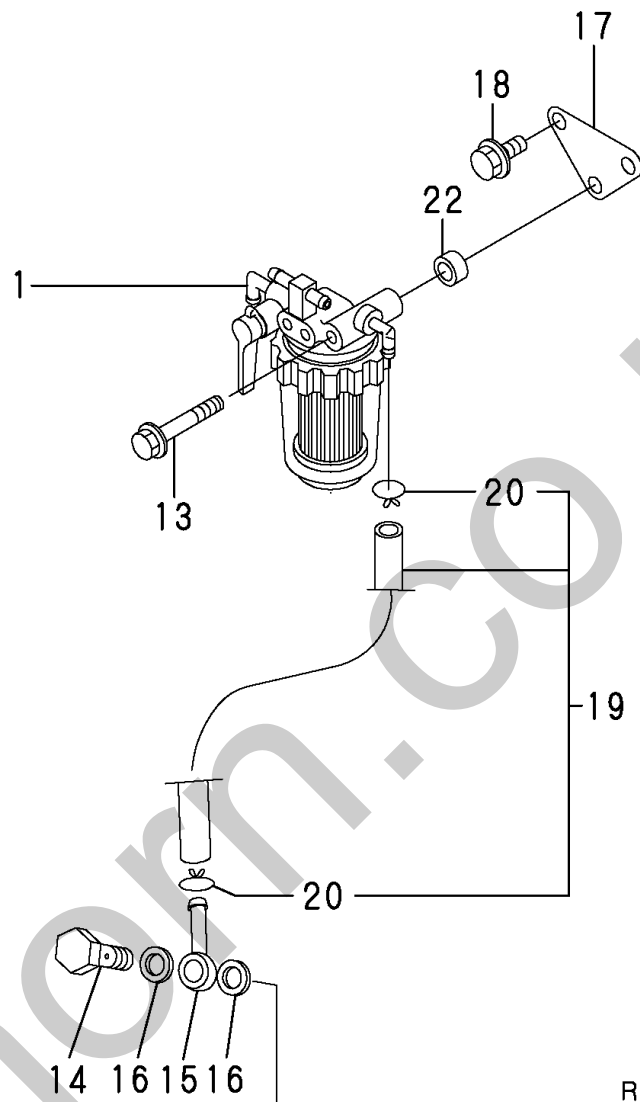
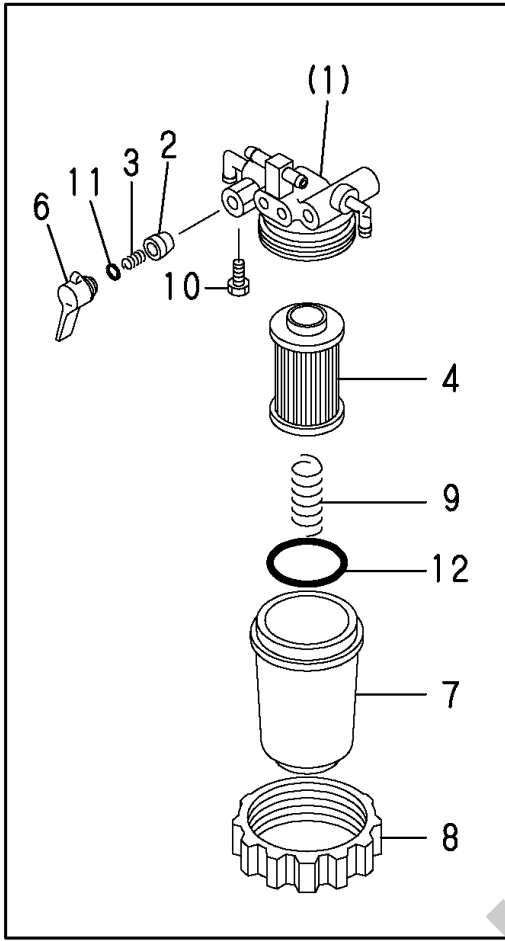
1,1,,729500-53200,, "VALVE ASSY, F.INJECT",1,,,,,,,,,,,,,
1-1,1,,729609-53200,, "VALVE ASSY, F.INJECT",1,1,,,,,N,,N1-
00052,E/#60165,,,,,,,,,,,,,
2,2,,129500-53050,, "NOZZLE ASSY,F.INJECT",3,,,,,,,,,,,,,
2-1,2,,129609-53100,, "NOZZLE ASSY",3,3,,,,,N,,N1-00052,E/#60165,,,,,,,,,,,,,
5,2,,114250-53080,, "NUT, NOZZLE CASE",3,3,,,,,,,,,,,,,
6,2,,129100-53100,, "HOLDER ASSY, NOZZLE",3,3,,,,,,,,,,,,,
9,2,,114250-53120,, "SPRING, NOZZLE",3,3,,,,,,,,,,,,,
10,2,,114250-53130,, "SEAT, NOZZLE SPRING",3,3,,,,,,,,,,,,,
11,2,,114250-53140,, "PLATE, STOP",3,3,,,,,,,,,,,,,
12,2,,114250-53210,, "PIN,6,6,,,,,,,,,,,,,
13,2,,114250-53400,, "SHIM PACK",3,3,,,,,,,,,,,,,
25,1,,129150-59120,, "RETAINER, INJ. PIPE",1,1,,,,,,,,,,,,,
28,2,,129150-59131,, "BOLT M4X14,HEX.SCKT.",2,2,,,,,,,,,,,,,
29,1,,119810-59810,, "PIPE, FUEL INJECTION",1,1,,,,,,,,,,,,,
33,1,,119810-59820,, "PIPE, FUEL INJECTION",1,1,,,,,,,,,,,,,
37,1,,119810-59830,, "PIPE, FUEL INJECTION",1,1,,,,,,,,,,,,,
41,1,,124066-59100,, "CLAMP 8",5,5,,,,,,,,,,,,,
42,1,,121250-59550,, "PIPE, FUEL",2,2,,,,,,,,,,,,,
43,1,,119840-59570,, "JOINT,1,1,,,,,,,,,,,,,
44,1,,129150-59580,, "CAP,1,1,,,,,,,,,,,,,
45,1,,129100-59951,, "VALVE ASSY, CHECK",1,1,,,,,,,,,,,,,
53,1,,22190-120002,, "SEAL WASHER 12",2,2,,,,,,,,,,,,,
54,1,,129210-59090,, "PIPE ASSY, FUEL OIL",1,1,,,,,,,,,,,,,
55,2,,124766-59050,, "CLAMP 12",2,2,,,,,,,,,,,,,
57,1,,119840-59500,, "PIPE ASSY, RETURN",1,1,,,,,,,,,,,,,
59,2,,124066-59100,, "CLAMP 8",2,2,,,,,,,,,,,,,





1,1,,119833-55620,, "STRAINER ASSY, FUEL",1,1,,,,,,,,,,,,,
2,2,,104200-55321,, "VALVE, TAPER",1,1,,,,,,,,,,,,,
3,2,,104200-55330,, "SPRING, TAPER VALVE",1,1,,,,,,,,,,,,,
4,2,,119810-55650,, ELEMENT,1,1,,,,,,,,,,,,,
6,2,,119810-55340,, LEVER,1,1,,,,,,,,,,,,,
7,2,,121254-55510,, "CUP, STRAINER",1,1,,,,,,,,,,,,,
8,2,,110250-55610,, "RING, RETAINING",1,1,,,,,,,,,,,,,
9,2,,121250-55620,, SPRING,1,1,,,,,,,,,,,,,
10,2,,104200-55750,, "SCREW M 4",1,1,,,,,,,,,,,,,
11,2,,24311-240100,, "O-RING 1A P-10A",1,1,,,,,,,,,,,,,
12,2,,102103-55520,, O-RING,1,1,,,,,,,,,,,,,
13,1,,26014-080752,, "BOLT M 8X 85",1,1,,,,,,,,,,,,,
14,1,,103854-39140,, "BOLT, PIPE JOINT",1,1,,,,,,,,,,,,,
15,1,,101304-59020,, "JOINT 12, PIPE",1,1,,,,,,,,,,,,,
16,1,,22190-120002,, "SEAL WASHER 12",2,2,,,,,,,,,,,,,
17,1,,119813-55900,, BRACKET,1,1,,,,,,,,,,,,,
18,1,,26106-080202,, "BOLT M 8X 20 PLATED",2,2,,,,,,,,,,,,,
19,1,,129210-59030,, "PIPE ASSY, FUEL OIL",1,1,,,,,,,,,,,,,
20,2,,124766-59050,, "CLAMP 12",2,2,,,,,,,,,,,,,
22,1,,106500-44810,, SPACER,1,1,,,,,,,,,,,,,

Silverhorn.CO.UK

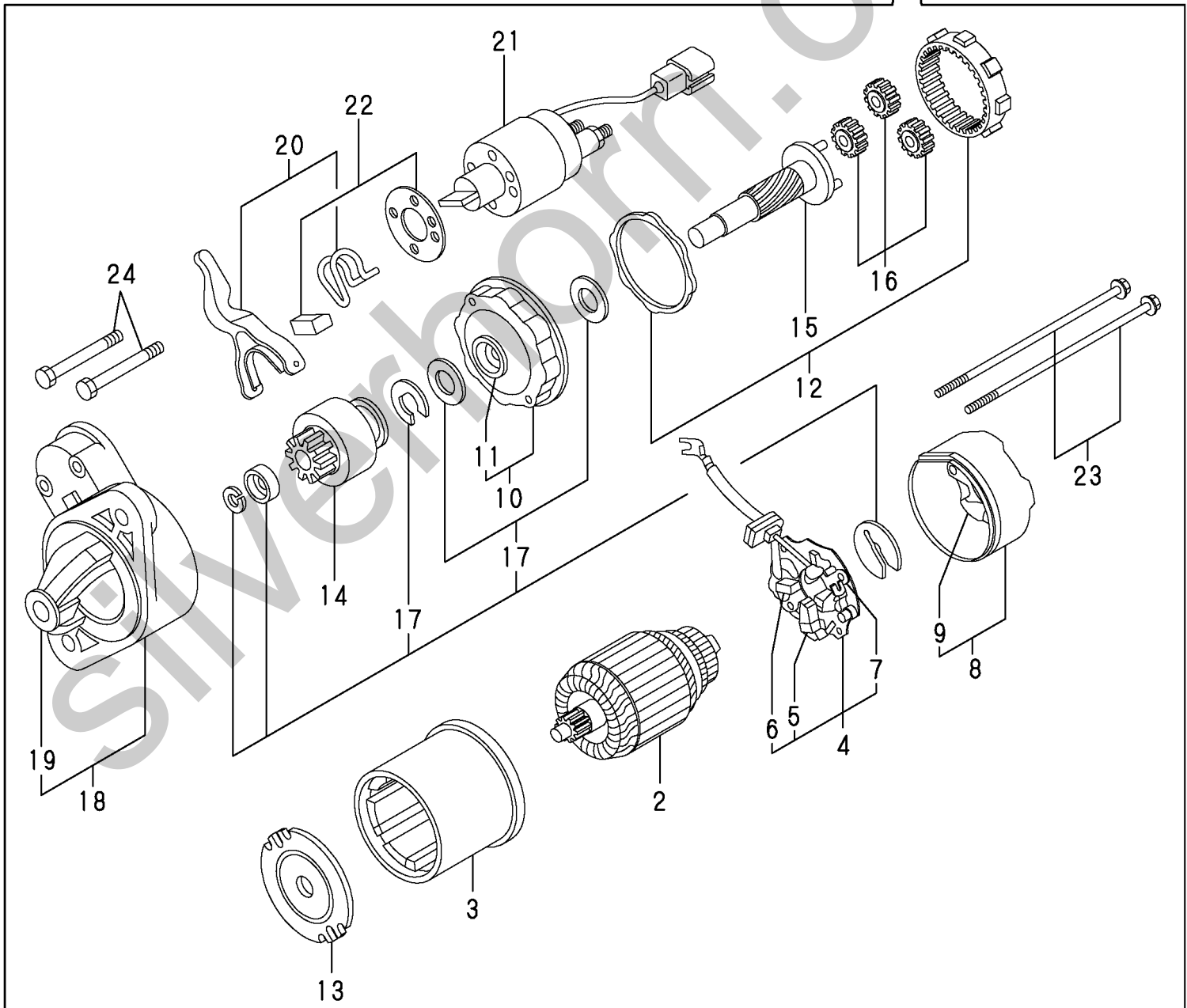
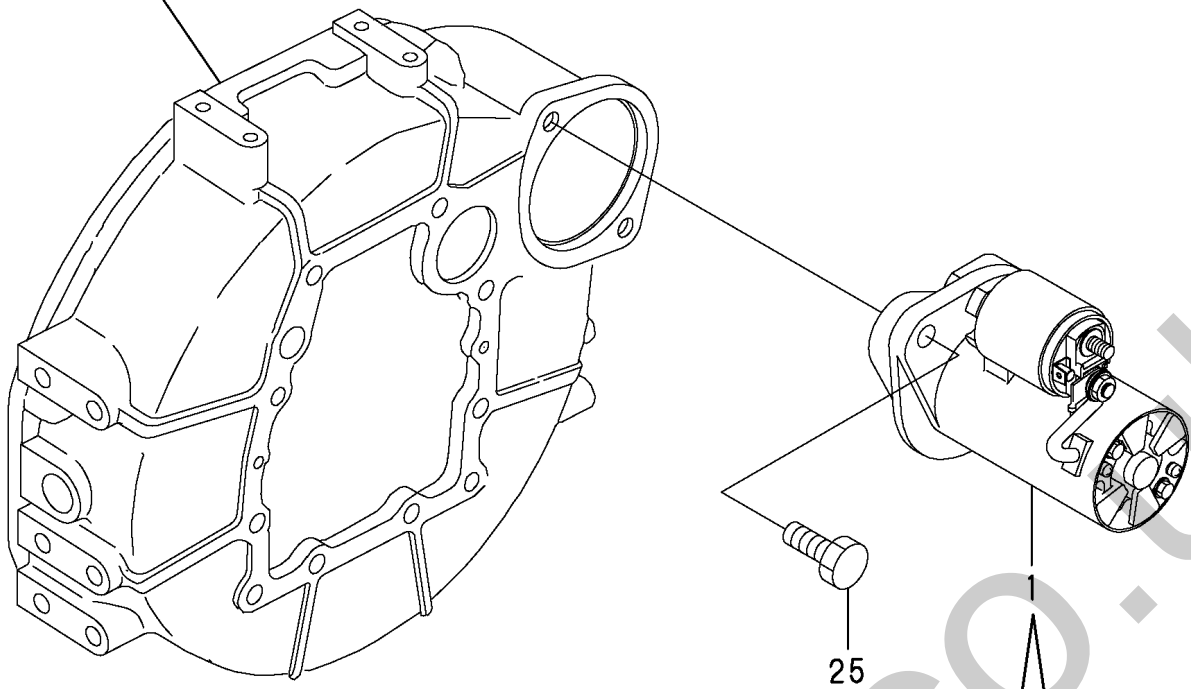


Silverhawk.CO.UK

1,1,,129698-77010,,STARTER,1,1,,,,,,,,,,,,,
2,2,,129698-77100,, "ARMATURE ASSY",1,,,,,,,,,,,,,
2-1,2,,129698-77101,, "ARMATURE ASSY",1,1,,,,,R,,JH-00035,E/#64799,,,,,,,,,,,,,I
3,2,,129698-77110,, "COIL ASSY, FIELD",1,1,,,,,,,,,,,,,
4,2,,129698-77120,, "HOLDER ASSY,BRUSH",1,1,,,,,,,,,,,,,
5,3,,129698-77130,, "BRUSH (-)",2,2,,,,,,,,,,,,,
6,3,,129698-77140,, "BRUSH(+) SET",1,1,,,,,,,,,,,,,
7,3,,129698-77150,, "SPRING, BRUSH",4,4,,,,,,,,,,,,,
8,2,,129698-77160,, "COVER ASSY, REAR",1,,,,,,,,,,,,,
8-1,2,,129698-77161,, "COVER ASSY, REAR",1,1,,,,,R,,JH-00029,E/#62797,,,,,,,,,,,,,
9,3,,129698-77170,, "REAR COVER METAL",1,1,,,,,,,,,,,,,
10,2,,129698-77180,,BRACKET,1,1,,,,,,,,,,,,,
11,3,,129698-77190,,BRACKET,1,1,,,,,,,,,,,,,
12,2,,129698-77200,, "INTERNAL GEAR",1,1,,,,,,,,,,,,,
13,2,,129698-77210,,BRACKET,1,1,,,,,,,,,,,,,
14,2,,129698-77220,, "PINION ASSY",1,1,,,,,,,,,,,,,
15,2,,129698-77230,,SHAFT(PINION,1,1,,,,,,,,,,,,,
16,2,,129698-77240,,GEAR,3,3,,,,,,,,,,,,,
17,2,,129698-77250,, "WASHER SET",1,1,,,,,,,,,,,,,
18,2,,129698-77260,, "HOUSING ASSY, GEARS",1,1,,,,,,,,,,,,,
19,3,,X2114535200,, "METAL, STARTER",1,1,,,,,,,,,,,,,
20,2,,129698-77270,, "LEVER, SHIFT",1,1,,,,,,,,,,,,,
21,2,,129698-77020,, "MAGNETIC SWITCH ASSY",1,1,,,,,,,,,,,,,
22,2,,129698-77280,, "COVER ASSY, DUST",1,1,,,,,,,,,,,,,
23,2,,124195-77770,, "THROUGH BOLT",2,2,,,,,,,,,,,,,
24,2,,X21147867,, "BOLT M6X 37",2,2,,,,,,,,,,,,,
25,1,,26116-120252,, "BOLT M12X 25 PLATED",2,2,,,,,,,,,,,,,

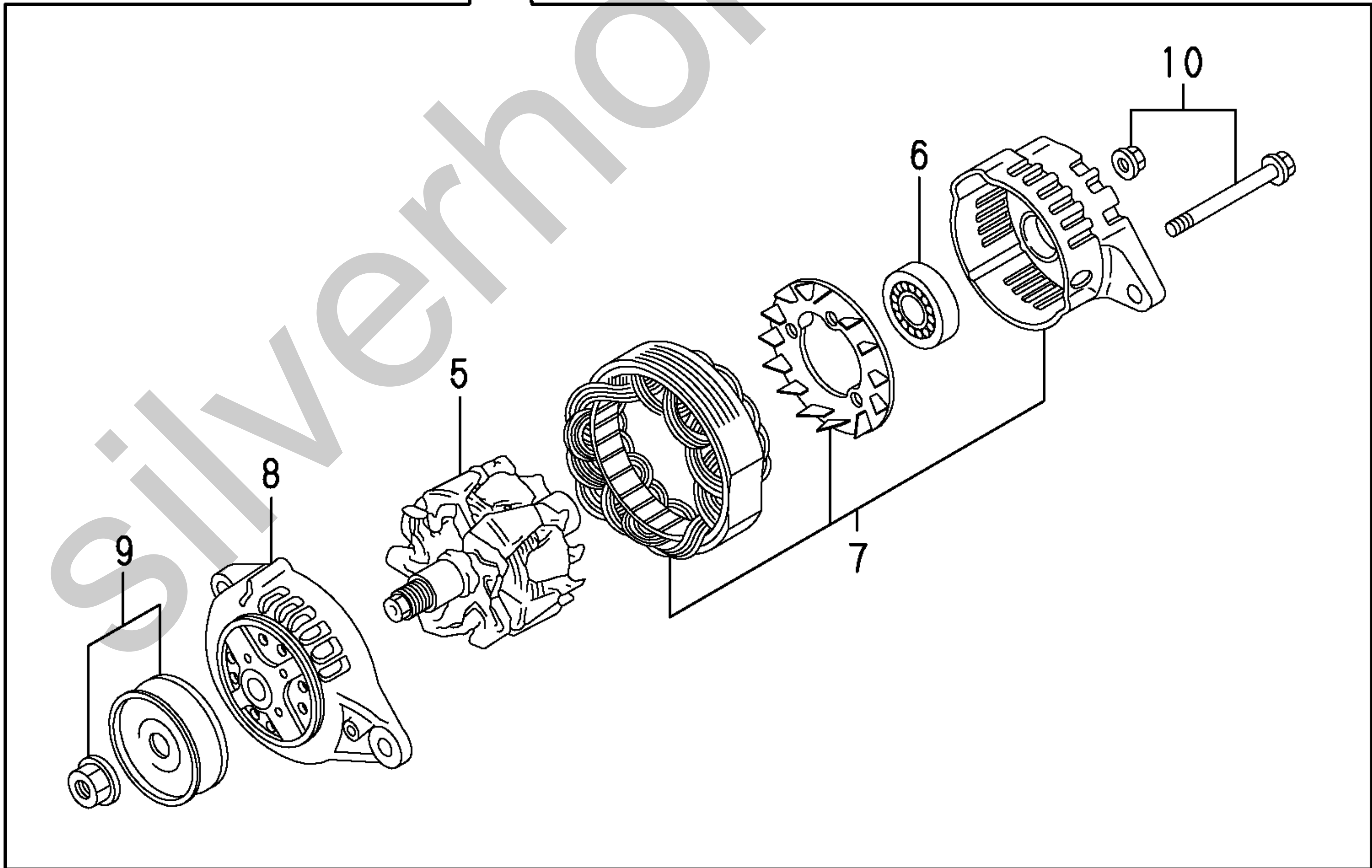
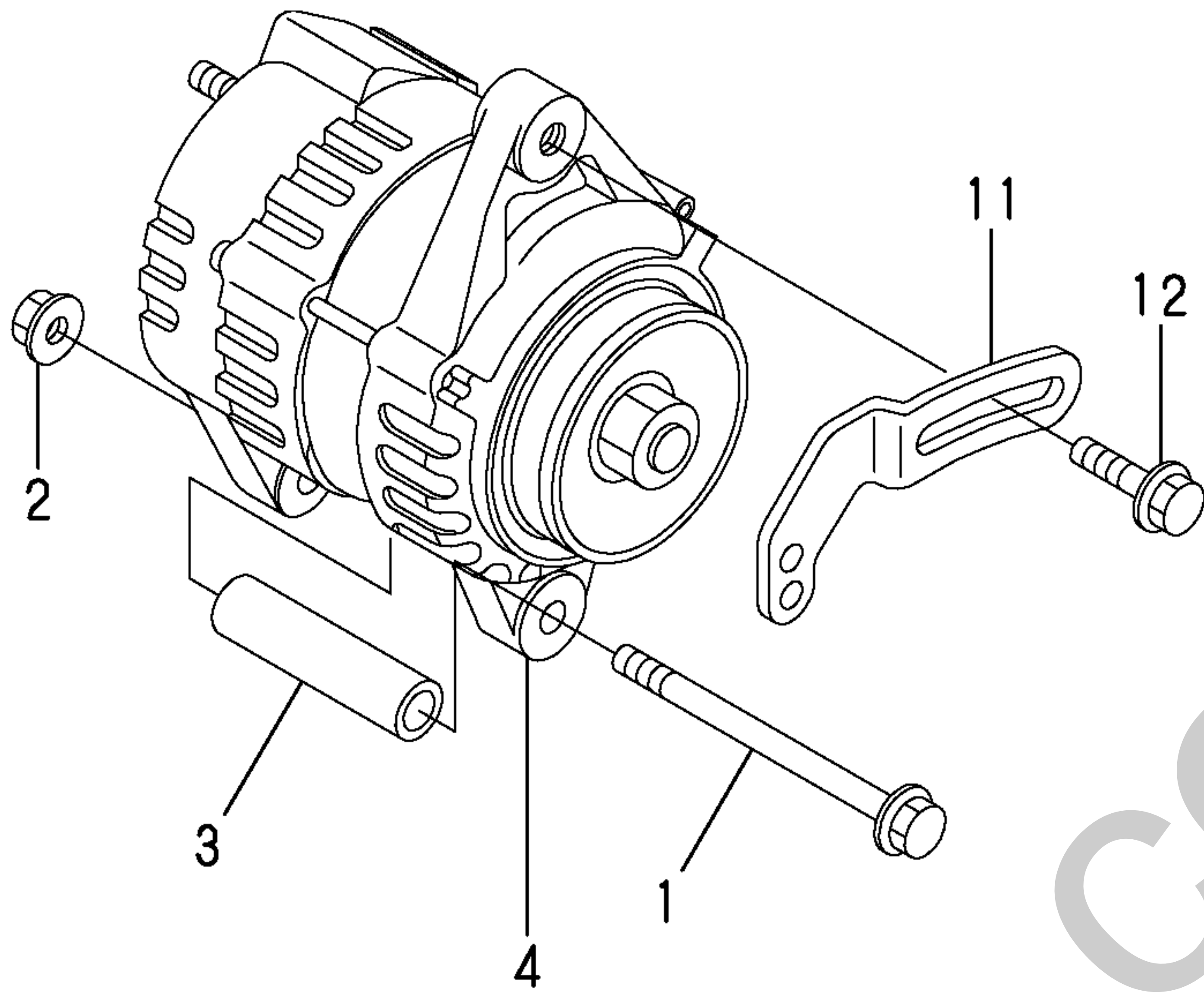


REFER TO Fig. 3



1,1,,129953-77201,,BOLT,1,1,,,,,,,,,,,,,
1-1,1,,129136-77251,,,"BOLT M 8X110",1,1,,,,,R,,TN-01084,E/#65975,TN-
01084,E/#68576,,,,,,,,,
2,1,,129612-77260,,,"NUT ,GENERATOR",1,1,,,,,,,,,,,,,
3,1,,119820-77340,,SPACER,1,1,,,,,,,,,,,,,
4,1,,119836-77201,,,"GENERATOR (AC)",1,1,,,,,,,,,,,,,
5,2,,129612-77700,,,"ROTOR ASSY",1,1,,,,,,,,,,,,,
6,2,,129612-77710,,,"BALL BEARING",1,1,,,,,,,,,,,,,
7,2,,119836-77920,,,"BRACKET ASSY, REAR",1,,,,,,,,,,,,,
7A,2,,129930-77920,,,"BRACKET, REAR",,1,,,,,,,,,,,,,
8,2,,129612-77730,,,"FRONT BRACKET ASSY",1,1,,,,,,,,,,,,,
9,2,,129612-77740,,PULLEY,1,1,,,,,,,,,,,,,
10,2,,129612-77750,,,"SCREW KIT",1,1,,,,,,,,,,,,,
11,1,,119823-77330,,ADJUSTER,1,1,,,,,,,,,,,,,
12,1,,119810-77340,,BOLT,1,1,,,,,,,,,,,,,

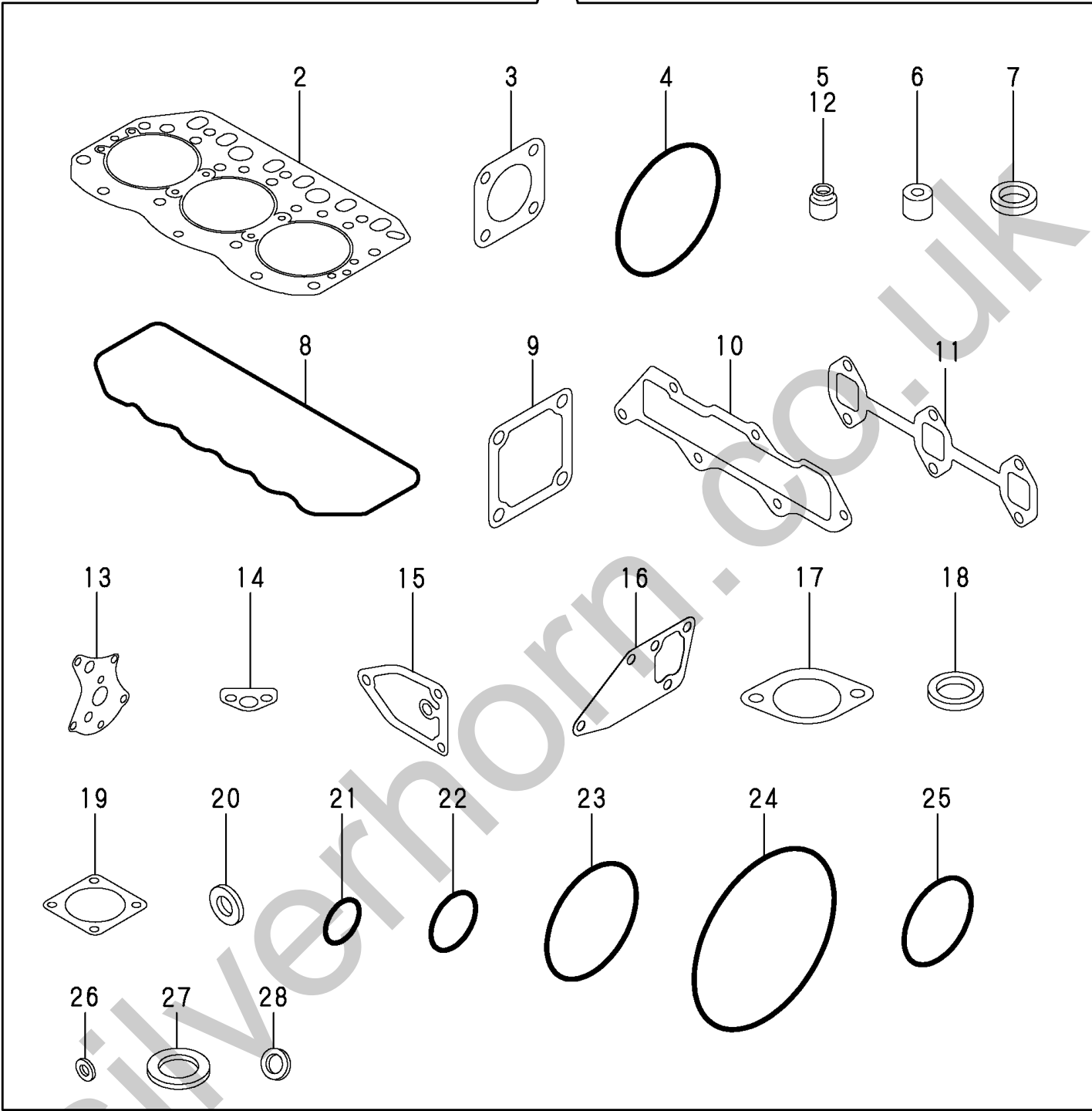
Silverhorn.CO.UK



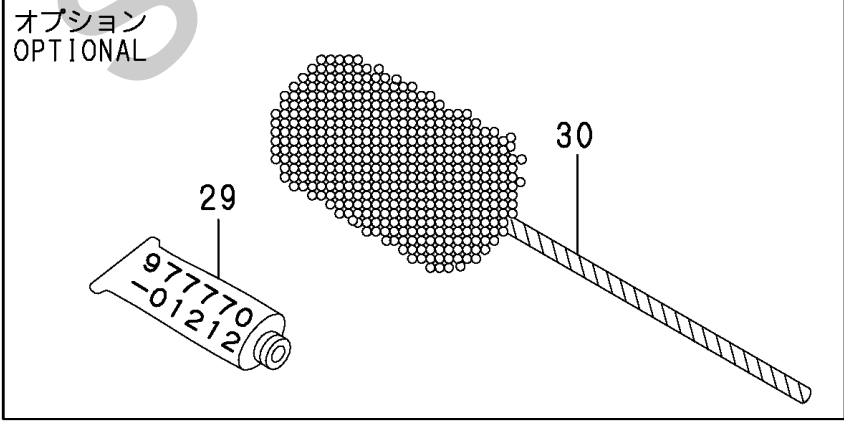
1,1,,719813-92660,, "GASKET SET (NON.ASB.)",1,1,,,,,1,,,,,
2,2,,119812-01330,, "GASKET, HEAD",1,1,,,,,
3,2,,124240-01883,, "GASKET, (NON-ASB.)",1,1,,,,,
4,2,,121850-51960,, "O-RING, F.I.PUMP",1,1,,,,,
5,2,,124160-11340,, "SEAL, VALVE STEM",3,3,,,,,
6,2,,119625-11870,, "PROTECTOR, NOZZLE",3,3,,,,,
6-1,2,,119625-11872,, "PROTECTOR, NOZZLE",3,3,,,,,R,,TE-01436,E/#67520,TE-
01436,E/#72461,,,,,
7,2,,119625-11880,, "SEAT, NOZZLE",3,3,,,,,
8,2,,119865-11310,, "GASKET, BONNET",1,1,,,,,
9,2,,129150-77511,, "GASKET, (NON-ASB.)",1,1,,,,,
10,2,,119813-12110,, "GASKET,INT. MANIFOLD",1,1,,,,,
11,2,,119810-13110,, "GASKET, EXH.MANIFOLD",1,1,,,,,
12,2,,124950-11340,, "SEAL, VALVE STEM",3,3,,,,,
13,2,,129150-32020,, "GASKET, L.O. PUMP",1,1,,,,,
14,2,,129150-35041,, "GASKET, (NON-ASB.)",1,1,,,,,
15,2,,129150-35111,, "GASKET, (NON-ASB.)",1,1,,,,,
16,2,,129486-42050,, "GASKET",1,1,,,,,
17,2,,129795-49551,, "GASKET, (NON-ASB.)",1,1,,,,,
18,2,,129150-49811,, "GASKET, (NON-ASB.)",1,1,,,,,
19,2,,124701-11911,, "GASKET, (NON-ASB.)",1,1,,,,,
20,2,,129155-52050,, "GASKET",1,1,,,,,
21,2,,24311-000120,, "O-RING 1A P 12.0",3,3,,,,,
22,2,,24311-000160,, "O-RING 1A P-16.0",3,3,,,,,
22-1,2,,119609-32040,, ,2,2,,,,,R,,TE-01299,E/#67520,TE-01299,E/#71137,,,,,
23,2,,24311-000320,, "O-RING 1A P-32.0",2,2,,,,,
24,2,,24341-000500,, "O-RING 1A S-50.0",1,1,,,,,
25,2,,24341-000240,, "O-RING 1A S-24.0",1,1,,,,,
26,2,,22190-100002,, "SEAL WASHER 10S",2,2,,,,,
27,2,,124465-44950,, "GASKET 16",2,2,,,,,
28,2,,22190-120002,, "SEAL WASHER 12",2,2,,,,,
29,1,,977770-01212,, "GASKET, LIQUID",1,1,,,,,1,,,,,
30,1,,129400-92420,, "FLEX HORN",1,1,,,,,1,,,,,



1



オプション
OPTIONAL



0,Y00B6413
1,001,, "ENGINE 3TNE82A-EBVB,C"
2,1,, "CYLINDER BLOCK", 3TNE82A-EBVB, 3TNE82A-EBVC,,
2,2,, "GEAR HOUSING", 3TNE82A-EBVB, 3TNE82A-EBVC,,
2,3,, "FLYWHEEL HOUSING & L.O.SUMP", 3TNE82A-EBVB, 3TNE82A-EBVC,,
2,4,, "CYLINDER HEAD & BONNET", 3TNE82A-EBVB, 3TNE82A-EBVC,,
2,5,, "SUCTION & EXHAUST MANIFOLD", 3TNE82A-EBVB, 3TNE82A-EBVC,,
2,6,, "CAMSHAFT & DRIVING GEAR", 3TNE82A-EBVB, 3TNE82A-EBVC,,
2,7,, "CRANKSHAFT & PISTON", 3TNE82A-EBVB, 3TNE82A-EBVC,,
2,8,, "LUB.OIL SYSTEM", 3TNE82A-EBVB, 3TNE82A-EBVC,,
2,9,, "COOLING WATER SYSTEM", 3TNE82A-EBVB, 3TNE82A-EBVC,,
2,10,, "FUEL INJECTION PUMP", 3TNE82A-EBVB, 3TNE82A-EBVC,,
2,11,, GOVERNOR, 3TNE82A-EBVB, 3TNE82A-EBVC,,
2,12,, "FUEL INJECTION PIPE", 3TNE82A-EBVB, 3TNE82A-EBVC,,
2,13,, "FUEL PIPE", 3TNE82A-EBVB, 3TNE82A-EBVC,,
2,14,, "STARTING MOTOR", 3TNE82A-EBVB, 3TNE82A-EBVC,,
2,15,, GENERATOR, 3TNE82A-EBVB, 3TNE82A-EBVC,,
2,16,, "GASKET SET & TOOLS", 3TNE82A-EBVB, 3TNE82A-EBVC,,
,

Silverhorn.CO.UK